

Installation Equipment

Flange socket to an isolation transformer



8572/15-312 Art. No. 241406



- Zones 1, 2, 21, 22, degree of protection IP66
- Full AC-3 switching capacity according to IEC/EN 60947-3
- Wear-free, corrosion-resistant contacts even in aggressive atmosphere

WebCode **8572C**



R. STAHL Series 8572/15 16 A compact flange sockets are suitable for 3-pole applications. The compact dimensions and internal rotary switch enable installation in various applications. Self-cleaning lamellar contacts made from high-quality material provide optimum contact. The integrated locking mechanism prevents disconnection under load.

Technical Data

Explosion Protection

Scope of validity	European Union (ATEX) IECEX
Application range (zones)	1 2 21 22
IECEX gas certificate	IECEX PTB 16.0028U
IECEX gas explosion protection	Ex db eb IIC Gb
IECEX dust certificate	IECEX PTB 16.0028U
IECEX dust explosion protection	Ex tb IIIC Db
ATEX gas certificate	PTB 16 ATEX 1016 U
ATEX gas explosion protection	⊕ II 2 G Ex db eb IIC Gb
ATEX dust certificate	PTB 16 ATEX 1016 U
ATEX dust explosion protection	⊕ II 2 D Ex tb IIIC Db
Certificates	ATEX (PTB), EAC (CCVE), IECEX (PTB)

Electrical Data

Rated operational voltage AC	50 ... 250 V AC
Type of voltage	Low voltage
Frequency range	50 / 60 Hz

Ambient Conditions

Ambient temperature	-50 °C ... +45 °C -50 °C ... +65 °C
---------------------	--

Mechanical Data

Degree of protection (IP)	IP66
Degree of protection note	according to IEC/EN 60529
Enclosure material	Polyamide, Glass fibre reinforced
Silicone-free	No

8572/15-312 Art. No. 241406

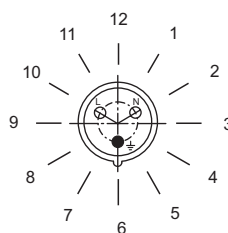
Mechanical Data

Solid connection terminals	1 x 0.75 mm ² ... 2 x 4 mm ²
Finely stranded connection terminals	1 x 0.75 mm ² ... 2 x 4 mm ²
Connection terminals USA min.	18 AWG
Max. USA connection terminals	10 AWG
Type of connection cable	Finely stranded Solid
Width	76 mm
Height	80.5 mm
Length	66.3 mm
Colour code	Blue
Coding (clock hour position)	12
Series	SolConeX
Detailed number of poles	2 P + PE
Weight	0.38 kg
Weight	0.84 lb

Technical Drawings – Subject to Alterations

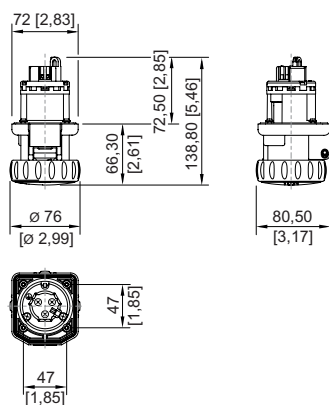


Marking of connections
Front view of socket 2 P + PE



Example:
Clock hour position, front view of socket

Dimensional Drawings (All Dimensions in mm [inches]) – Subject to Alterations



Flange socket 3-pole

Accessories and Spare Parts

Dust cover for wall mounting sockets 16 A Series 8570/11

Art. No.

	retrofitable dust protection for 2-/3-pole sockets	253118
--	--	--------

Installation Equipment

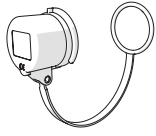
Flange socket to an isolation transformer



8572/15-312 Art. No. 241406

Protective cap for plugs 16 A

Art. No.



3 pole

150496

We reserve the right to make alterations to the technical data, dimensions, weights, designs and products available without notice. The illustrations cannot be considered binding.