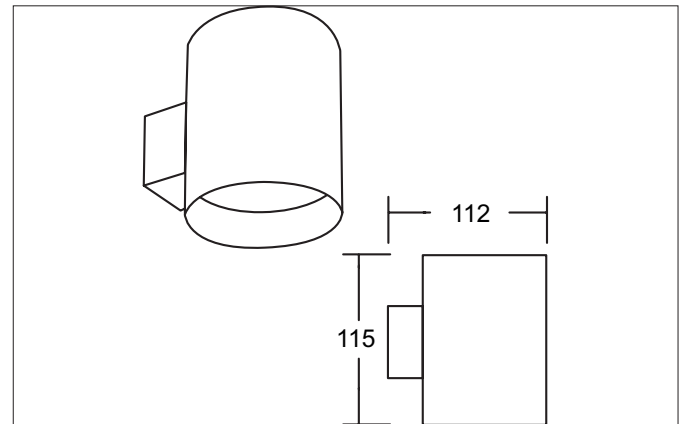


**M1 Wall surface mounted housing, round, recessed, flush with module bracket, rigid, without LED module**

Article no. 45201560

Light.  
For Generations.**Tender**

Wall surface mounted housing, round, recessed, flush with module bracket, rigid, without LED module, Round. Luminaire diameter 90.0 mm, Height 115.0 mm Weight 0.29 kg, with rotationssymmetrical, deep, wide distributed light intensity. with Lamp holder Without fitting max: 8 W, Delivery without bulb. Housing material: Aluminium / Glass, Colour: Black / White structure, Permissible ambient temperature (ta): -20 °C - +25 °C, Protection class (EN 61140): III, Degree of protection (DIN EN 60529): IP20, .For connection to an external driver, which is not included in the scope of delivery of the luminaire. Depending on driver dimmable.

| Article data      |   |
|-------------------|---|
| Article no.       | 45201560  |
| GTIN              | 4255752501787   |
| Series name       | M1  |
| Short description | Wall surface mounted housing, round, recessed, flush with module bracket, rigid, without LED module |
| Material          | Aluminium / Glass   |
| Colour            | Black / White   |
| Type of surface   | Structure   |
| Shape             | Round   |
| Outer diameter    | 90 mm   |
| Height            | 115 mm  |
| Scope of delivery | inkl. Modulhalterung bündig, starr  |
| Weight            | 0.290 kg  |
| Conformance       | CE, UKCA  |

**M1 Wall surface mounted housing, round, recessed, flush with module bracket, rigid, without LED module**

Article no. 45201560

Light.  
For Generations.

| Operating technology of the luminaire |                     |
|---------------------------------------|---------------------|
| Lamp                                  | For LED             |
| Lamp holder                           | Without fitting     |
| Protection class                      | III                 |
| Degree of protection                  | IP20                |
| Control                               | Depending on driver |
| Bulb change possible                  | Yes                 |

| Mounting technology   |                     |
|-----------------------|---------------------|
| Mounting method       | Surface mounting    |
| Place of installation | Wall-mounted        |
| Adjustability         | Rotable and pivoted |
| Swivel angle          | 20°                 |
| Rotation angle        | 360°                |
| Material cover        | Without cover       |
| Circlip               | Without circlip     |





| Packing data            |   |
|-------------------------|---|
| Gross weight            | 0.332 kg  |
| Length of packaging     | 100 mm  |
| Packaging width         | 100 mm  |
| Packaging height        | 135 mm  |
| Disposal at end of life | This product must not be disposed of with household waste. You are obliged, to dispose of such electrical waste separately.<br>By disposing of electrical waste and other old or defective electronics separately, you support recycling or other forms of re-use. In that way you help to take care and to avoid that harmful substances get into the environment. |

| Compatible LED-modules |       |            |                             |               |         |                 |
|------------------------|-------|------------|-----------------------------|---------------|---------|-----------------|
| Article no.            | Power | Beam angle | Colour temperature          | Luminous flux | Input   | Hight LED-Modul |
| 12925003               | 3 W   | 38°        | 2.700 K                     | 290 lm        | 350 mA  | 40 mm           |
| 12926003               | 3 W   | 38°        | 3.000 K                     | 310 lm        | 350 mA  | 40 mm           |
| 12925004               | 3 W   | 38°        | 4.000 K                     | 340 lm        | 350 mA  | 40 mm           |
| 12923383               | 6 W   | 38°        | 2.700 K                     | 600 lm        | 350 mA  | 32 mm           |
| 12923603               | 6 W   | 60°        | 2.700 K                     | 570 lm        | 350 mA  | 32 mm           |
| 12924383               | 6 W   | 38°        | 3.000 K                     | 680 lm        | 350 mA  | 32 mm           |
| 12924603               | 6 W   | 60°        | 3.000 K                     | 660 lm        | 350 mA  | 32 mm           |
| 12924384               | 6 W   | 38°        | 3.500 K                     | 680 lm        | 350 mA  | 32 mm           |
| 12924604               | 6 W   | 60°        | 3.500 K                     | 660 lm        | 350 mA  | 32 mm           |
| 12923384               | 6 W   | 38°        | 4.000 K                     | 720 lm        | 350 mA  | 32 mm           |
| 12923604               | 6 W   | 60°        | 4.000 K                     | 700 lm        | 350 mA  | 32 mm           |
| 12963383               | 6 W   | 38°        | 3.000 K - 1.800 K           | 460 lm        | 350 mA  | 32 mm           |
| 12963603               | 6 W   | 60°        | 3.000 K - 1.800 K           | 430 lm        | 350 mA  | 32 mm           |
| 12920183               | 6 W   | 18°        | 3.000 K                     | 640 lm        | 350 mA  | 31 mm           |
| 12920243               | 6 W   | 24°        | 3.000 K                     | 690 lm        | 350 mA  | 31 mm           |
| 12920003               | 6 W   | 38°        | 3.000 K                     | 670 lm        | 350 mA  | 31 mm           |
| 12920603               | 6 W   | 60°        | 3.000 K                     | 620 lm        | 350 mA  | 31 mm           |
| 12920184               | 6 W   | 18°        | 4.000 K                     | 685 lm        | 350 mA  | 31 mm           |
| 12920244               | 6 W   | 24°        | 4.000 K                     | 740 lm        | 350 mA  | 31 mm           |
| 12920004               | 6 W   | 38°        | 4.000 K                     | 720 lm        | 350 mA  | 31 mm           |
| 12920604               | 6 W   | 60°        | 4.000 K                     | 660 lm        | 350 mA  | 31 mm           |
| 12823003               | 8 W   | 60°        | 2.850 K                     | 900 lm        | 24.00 V | 50 mm           |
| 12843004               | 8 W   | 60°        | 2.000 K - 6.500 K           | 640 lm        | 24.00 V | 50 mm           |
| 18438002               | 8 W   | 60°        | RGB+WW                      | 400 lm        | 24.00 V | 50 mm           |
| 12929503               | 6.3 W | 50°        | 2.700 K / 3.000 K / 4.000 K |               | 350 mA  | 34 mm           |

**M1 Wall surface mounted housing, round, recessed, flush with module bracket, rigid, without LED module**

Article no. 45201560

Light.  
For Generations.

| Accessories   |  |
|---|--|
|  | Article no.: 17662000<br>LED converter 350 mA, on/off switchable<br>Power: 1 - 7,2 W<br>Dimensions: 68 mm x 35 mm x 21 mm        |
|  | Article no.: 17652000<br>LED-round converter 350 mA, trailing-edge phase dimmer<br>Power: 4,9 - 7 W<br>Dimensions: 51 mm x 24 mm |
|  | Article no.: 17658000<br>LED round converter 350 mA, DALI dimmable (digital)<br>Power: 2,1 - 9 W<br>Dimensions: 56 mm x 25 mm    |
|  | Article no.: 17665000<br>LED converter 350 mA, switchable<br>Power: 1 - 3,2 W<br>Dimensions: 52 mm x 30 mm x 23 mm               |