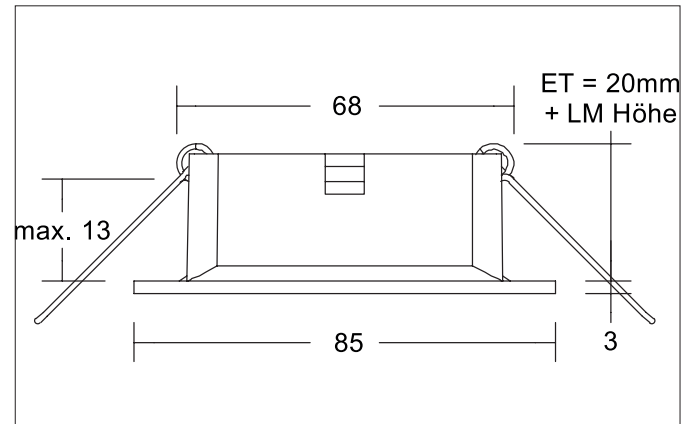


LOOP®smooth-R Recessed downlight housing, without LED module

Article no. 27066170

Light.
For Generations.**Tender**

Recessed downlight housing, without LED module, white structure, Round. In a compact design, for installation in tool-less rapid assembly systems. All Brumberg MR16 LED modules with an output of up to 14 W can be used for the LOOP recessed unit. The installation depth of the luminaire depends on the LED module used (here: 20 mm, plus the height of the LED module). The LED module is not included in the scope of delivery of the installation unit. Mounting method: Recessed mounting, Place of installation: Ceiling-mounted, Material: Nylon / Magnesium Hydroxide / Fiberglass, Degree of protection: according to DIN EN 60529 IP20, Protection class: (EN 61140) III, Power: 14 W, Amount of light sources / fittings: 1 Qty, Adjustability: Not adjustable, without control gear, Dimmable: Depending on type of control gear, Control: Depending on driver.

Product Benefits

LOOP- Light Of Ocean Plastic.

Certified LED recessed luminaire housing made from 100 % recycled ocean plastic.

Plastic waste in the sea is a global catastrophe, that we need to do something about. We are making an important contribution with the first luminaire whose plastic 100 percent recycled ocean plastic". With LOOP, we are setting new standards for sustainable lighting solutions on the global market, that reflect high quality, functionality and aesthetics.

LOOP®smooth-R Recessed downlight housing, without LED module

Article no. 27066170

Light.
For Generations.

| Article data | |
|-------------------|--|
| Article no. | 27066170 |
| GTIN | 4251433998648 |
| Series name | LOOP®smooth-R |
| Short description | Recessed downlight housing, without LED module |
| Material | Nylon / Magnesium Hydroxide / Fiberglass |
| Colour | White |
| Type of surface | Structure |
| Shape | Round |
| Outer diameter | 85 mm |
| Built-in diameter | 68 mm |
| Hight | 3 mm |
| Weight | 0.048 kg |

| Operating technology of the luminaire | |
|---------------------------------------|-----------------------------------|
| System output | 14 W |
| Voltage type | DC |
| Lamp | For LED |
| Lamp holder | Without fitting |
| Protection class | III |
| Degree of protection | IP20 |
| Dimmable | Depending on type of control gear |
| Control | Depending on driver |
| Bulb change possible | Yes |

| Mounting technology | |
|------------------------|---|
| Mounting method | Recessed mounting |
| Place of installation | Ceiling-mounted |
| Adjustability | Not adjustable |
| Max. ceiling thickness | 13 mm |
| stamp | UKCA |
| Further references | No cover with thermal insulation material |
| Material cover | Without cover |
| Circlip | Without circlip |

| Packing data | |
|-------------------------|---|
| Gross weight | 0.091 kg |
| Length of packaging | 107 mm |
| Packaging width | 93 mm |
| Packaging hight | 65 mm |
| Disposal at end of life | This product must not be disposed of with household waste. You are obliged, to dispose of such electrical waste separately. By disposing of electrical waste and other old or defective electronics separately, you support recycling or other forms of re-use. In that way you help to take care and to avoid that harmful substances get into the environment. |

LOOP®smooth-R Recessed downlight housing, without LED module

Article no. 27066170

Light.
For Generations.

| Compatible LED-modules | | | | | | |
|------------------------|-------|------------|--------------------|---------------|--------|-----------------|
| Article no. | Power | Beam angle | Colour temperature | Luminous flux | Input | Hight LED-Modul |
| 12925003 | 3 W | 38° | 2.700 K | 290 lm | 350 mA | 40 mm |
| 12926003 | 3 W | 38° | 3.000 K | 310 lm | 350 mA | 40 mm |
| 12925004 | 3 W | 38° | 4.000 K | 340 lm | 350 mA | 40 mm |
| 12923383 | 6 W | 38° | 2.700 K | 600 lm | 350 mA | 32 mm |
| 12923603 | 6 W | 60° | 2.700 K | 570 lm | 350 mA | 32 mm |
| 12924383 | 6 W | 38° | 3.000 K | 680 lm | 350 mA | 32 mm |
| 12924603 | 6 W | 60° | 3.000 K | 660 lm | 350 mA | 32 mm |
| 12924384 | 6 W | 38° | 3.500 K | 680 lm | 350 mA | 32 mm |
| 12924604 | 6 W | 60° | 3.500 K | 660 lm | 350 mA | 32 mm |
| 12923384 | 6 W | 38° | 4.000 K | 720 lm | 350 mA | 32 mm |
| 12923604 | 6 W | 60° | 4.000 K | 700 lm | 350 mA | 32 mm |
| 12920183 | 6 W | 18° | 3.000 K | 640 lm | 350 mA | 31 mm |
| 12920243 | 6 W | 24° | 3.000 K | 690 lm | 350 mA | 31 mm |
| 12920003 | 6 W | 38° | 3.000 K | 670 lm | 350 mA | 31 mm |
| 12920603 | 6 W | 60° | 3.000 K | 620 lm | 350 mA | 31 mm |
| 12920184 | 6 W | 18° | 4.000 K | 685 lm | 350 mA | 31 mm |
| 12920244 | 6 W | 24° | 4.000 K | 740 lm | 350 mA | 31 mm |
| 12920004 | 6 W | 38° | 4.000 K | 720 lm | 350 mA | 31 mm |
| 12920604 | 6 W | 60° | 4.000 K | 660 lm | 350 mA | 31 mm |
| 12963383 | 6 W | 38° | 3.000 K - 1.800 K | 460 lm | 350 mA | 32 mm |
| 12963603 | 6 W | 60° | 3.000 K - 1.800 K | 430 lm | 350 mA | 32 mm |