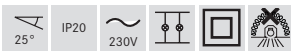
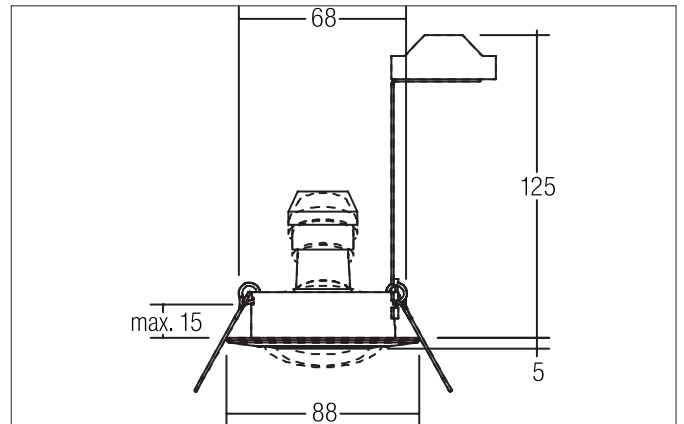


BREENA-R Recessed spot, GU 10

Article no. 36141170

Light.
For Generations.**Tender**

Recessed spot, GU10, white structure, Round. In a compact design, for installation in tool-less rapid assembly systems. Including bracket with GU10 socket for standard-compliant strain relief. Lamp holder: GU10, Mounting method: Recessed mounting, Place of installation: Ceiling-mounted, Material: Zinc casting / Aluminium casting, Degree of protection: according to DIN EN 60529 IP20, Protection class: (EN 61140) II, Voltage: 230V AC 50Hz, Power: 50 W, Amount of light sources / fittings: 1 Qty, Adjustability: Pivoted, without control gear, Control: Other.

Product Benefits

- Recessed spotlight in round design made of solid cast zinc and cast aluminum for LED retrofit lamps with GU10 base (incl. bracket for standardized strain relief). strain relief).
- Ceiling cut-out 68 mm, diameter 88 mm, installation depth 125 mm, IP20.
- Pivoting range 25°.
- Wide range of colors. Without visible snap ring.
- Classic, slightly curved design.
- Also available in the same look as a GX5.3 version, as a switchable and dimmable set (trailing edge).

BREENA-R Recessed spot, GU 10

Article no. 36141170

Light.
For Generations.

Article data	
Article no.	36141170
GTIN	4251433958314
Series name	BREENA-R
Short description	Recessed spot, GU10
Material	Cast iron
Colour	White
Type of surface	Structure
Shape	Round
Outer diameter	88 mm
Built-in diameter	68 mm
Installation depth	125 mm
Hight	5 mm
Weight	0.125 kg
stamp	UKCA

Operating technology of the luminaire	
System output	50 W
Voltage type	AC
AC nominal voltage max	230 V
Frequency max	50 Hz
Lamp	For LED-retrofill lamp
Lamp holder	GU10
Protection class	II
Degree of protection	IP20
Control	Other
Bulb change possible	Yes

Mounting technology	
Mounting method	Recessed mounting
Place of installation	Ceiling-mounted
Adjustability	Pivoted
Swivel angle	25°
Max. ceiling thickness	15 mm
Further references	No mounting box No cover with thermal insulation material
Material cover	Without cover
Circlip	Without circlip

Packing data	
Gross weight	0.152 kg
Length of packaging	140 mm
Packaging width	110 mm
Packaging hight	120 mm
Disposal at end of life	This product must not be disposed of with household waste. You are obliged, to dispose of such electrical waste separately. By disposing of electrical waste and other old or defective electronics separately, you support recycling or other forms of re-use. In that way you help to take care and to avoid that harmful substances get into the environment.