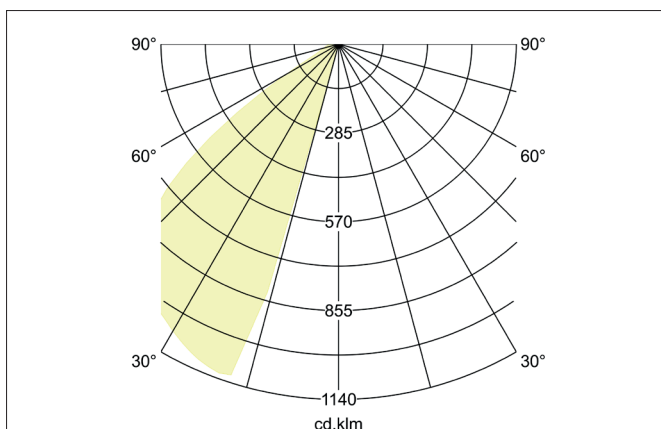
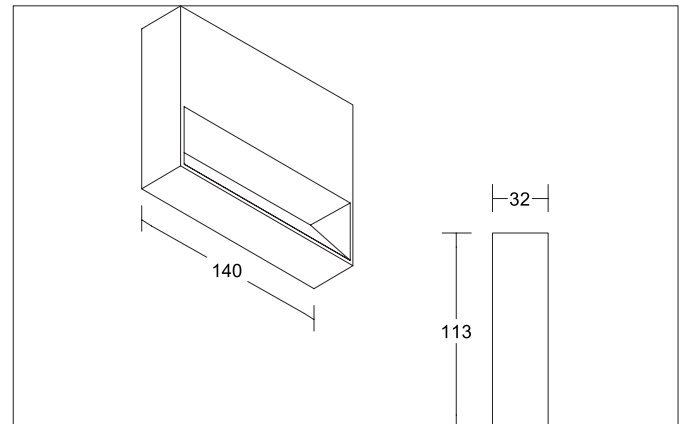


MADURA LED surface-mounted wall light, IP65

Article no. 60119103

Light.
For Generations.**Tender**

LED surface-mounted wall light, IP65, Square. Luminaire length 140.0 mm, Luminaire width 32.0 mm, Height 32.0 mm Weight 0.644 kg, with rotationssymmetrical, deep, wide distributed light intensity. optimal light distribution due to a glass structured cover. Luminous flux 102 lm, Power 1 x 3,2 W, Light colour warm white to warm white, Correlated color temperature (CCT) 2.700 - 3.000 K, Colour rendering index CRI > 80, Rated life time L70/B50 at 25 °C: 50.000 h, Housing material: Aluminium, Colour: Graphite, Permissible ambient temperature (ta): -20 to +40°C, Protection class (EN 61140): I, Degree of protection (DIN EN 60529): IP65, shock resistance according to IEC62262: IK09 .With electronic driver, on/off switchable.

Article data	
Article no.	60119103
GTIN	4255752503040
Series name	MADURA
Short description	LED surface-mounted wall light, IP65
Material	Aluminium
Colour	Graphite
Type of surface	Structure
Shape	Square
Length	140 mm
Width	32 mm
Height	32 mm
Scope of delivery	incl. converter for connection to 230 V mains voltage, switchable
Weight	0.644 kg
Conformance	CE, UKCA

MADURA LED surface-mounted wall light, IP65

Article no. 60119103

Light.
For Generations.

Lighting technology	
Colour temperature	2.700K / 3.000 K
Light colour	White
Light output	Direct
Luminous flux	102 lm
System efficiency	23 lm/W
Colour rendering	CRI > 80
Luminaire optics	Cover satin
Reflector	Without
Beam angle	72°
Light sharing	Symmetric
Adjustable color temperature	Stages

Operating technology of the luminaire	
System output	4.5 W
Voltage type	AC
AC nominal voltage max	230 V
Frequency max	50 Hz
Frequency min	50 Hz
Lamp	LED
Lamp holder	Without fitting
Protection class	I
Degree of protection	IP65
Ambient temperature	-20 bis +40°C
Dimmable	No
Control	on/off
Bulb change possible	The light source of this luminaire may only be replaced by the manufacturer or a service technician commissioned by him or a similarly qualified person.
Rated life time L70/B50 at 25 °C	50,000 h

Mounting technology	
Mounting method	Surface mounting
Place of installation	Wall-mounted
Adjustability	Not adjustable
Impact resistance	IK09
Further references	Outdoor
Material cover	Glass structured
Suitable for through-wiring	Yes

Packing data	
Gross weight	0.82 kg
Length of packaging	180 mm
Packaging width	80 mm
Packaging height	160 mm
Disposal at end of life	This product must not be disposed of with household waste. You are obliged, to dispose of such electrical waste separately. By disposing of electrical waste and other old or defective electronics separately, you support recycling or other forms of re-use. In that way you help to take care and to avoid that harmful substances get into the environment.