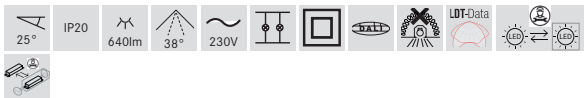
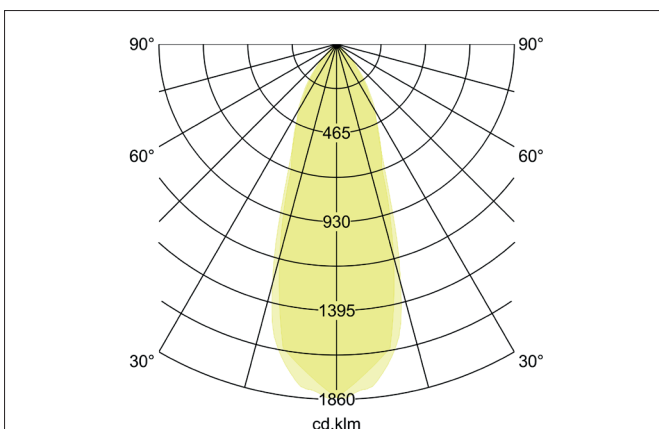
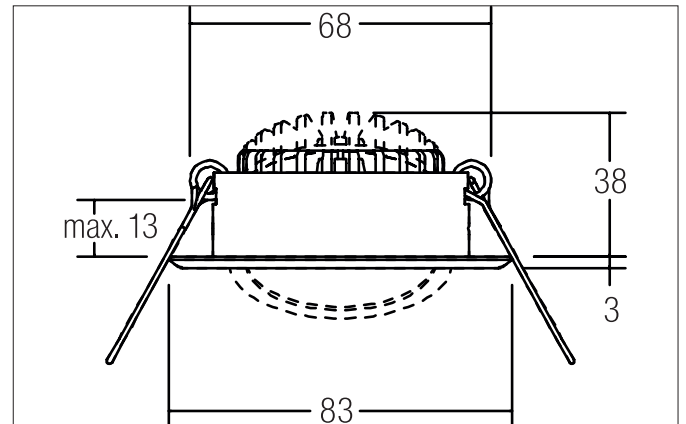


BB09 LED recessed spotlight set, DALI dammable, with connection box

Article no. 41469073

Light.
For Generations.**Tender**

LED recessed spotlight set, DALI dammable, with connection box, Round. Toolless ceiling installation by installation springs. Ceiling cut-out Ø 68 mm, Installation depth 38 mm, Outer diameter 82 mm, Weight 0,252 kg, Reflector silver with rotationssymmetrical, deep, wide distributed light intensity. optimal light distribution due to a plastic, transparent cover. Luminous flux 640 lm, Power 1 x 6 W, Light colour warm white, Correlated color temprature (CCT) 3.000 K, Colour rendering index CRI > 80, Housing material: Stainless steel / Aluminium / Plastic, Colour: White, Permissible ambient temperature (ta): -20 °C - +25 °C, Protection class (EN 61140): II, Degree of protection (DIN EN 60529): IP20, .With electronic driver, DALI-2 dimmable.

BB09 LED recessed spotlight set, DALI dammable, with connection**box**

Article no. 41469073

Light.
For Generations.

Article data	
Article no.	41469073
GTIN	4251433996859
Series name	BB09
Short description	LED recessed spotlight set, DALI dammable, with connection box
Material	Stainless steel / Aluminium / Plastic
Colour	White
Type of surface	Glossy
Shape	Round
Outer diameter	82 mm
Built-in diameter	68 mm
Installation depth	38 mm
Hight	3 mm
Scope of delivery	incl. connection box, 5-pole
Weight	0.252 kg
stamp	UKCA
Conformance	CE, UKCA

Lighting technology	
Colour temperature	3.000 K
Light colour	White
Light output	Direct
Luminous flux	640 lm
System efficiency	107 lm/W
Colour rendering	CRI > 80
Reflector	High-gloss
Reflector colour	silver
Beam angle	38°
Light sharing	Symmetric
Adjustable color temperature	No

Operating technology of the luminaire	
Power	6 W
Current	350 mA
Lamp	LED not changeable
Protection class	III

Operating technology of driver	
Article No. of used driver	17652001
Power min	4.9 W
Power	7 W

Mounting technology	
Mounting method	Recessed mounting
Place of installation	Ceiling-mounted
Adjustability	Pivoted
Swivel angle	25°
Max. ceiling thickness	13 mm
Further references	No cover with thermal insulation material
Material cover	Plastic, transparent
Suitable for through-wiring	Yes

BB09 LED recessed spotlight set, DALI dammable, with connection**box**

Article no. 41469073

Light.

For Generations.

Packing data	
Gross weight	0.315 kg
Length of packaging	140 mm
Packaging width	110 mm
Packaging height	120 mm
Disposal at end of life	<p>This product must not be disposed of with household waste. You are obliged, to dispose of such electrical waste separately.</p> <p>By disposing of electrical waste and other old or defective electronics separately, you support recycling or other forms of re-use. In that way you help to take care and to avoid that harmful substances get into the environment.</p>