

Signalling Devices

Audible signalling device Sounder

In flameproof enclosure

8493/11-11-6 Art. No. 145305



- Horn: Directional/ max. 117 dB(A)
- Type of protection: Ex d / de
- Protection Class: IP66
- Robust aluminium enclosure with ABS horn
- 32 standardised preconfigured signal sounds (PFEER/ UKOOA compatible)
- 3 independent signal channel
- Installation accessories and U-bracket included

WebCode 8493A



Product Series 8493 is designed to provide an audible alarm which can be used to alert, warn or draw attention to machine malfunction/ start up or any number of safety related issues in hazardous areas. This directional audible signal device is designed for use in hazardous or harsh environments in Ex d / Ex de variants.

Technical Data

Explosion Protection

Scope of validity	European Union (ATEX)
Application range (zones)	1 2 22
ATEX gas certificate	KEMA 02 ATEX 2150
ATEX gas explosion protection	⊕ II 2 G EEx d IIC T4
Certificates	ATEX (DEK)

Electrical Data

Rated operational voltage	230 V
Tolerance	-10 – 10 %
Frequency range	420 – 2900 Hz

Acoustic Data

Sound pressure level	max. 110 dB(A) @ 1 m
Tone selection	Via DIL switch

Ambient Conditions

Ambient temperature	-50 °C ... +55 °C
---------------------	-------------------

Mechanical Data

Degree of protection IP (IEC 60529)	IP66
Enclosure material	Aluminium
Trumpet material	ABS
Connection terminals solid max.	2.5 mm ²
Connection terminals finely-stranded max.	2.5 mm ²
Cable gland	2 drillings, M 20 or NPT 1/2" possible upon request
Width	165 mm
Height	181 mm
Length	282 mm

Signalling Devices

Audible signalling device Sounder

In flameproof enclosure

8493/11-11-6 Art. No. 145305



Mechanical Data

Enclosure colour	Red
Weight	4.68 kg
Weight	10.32 lb

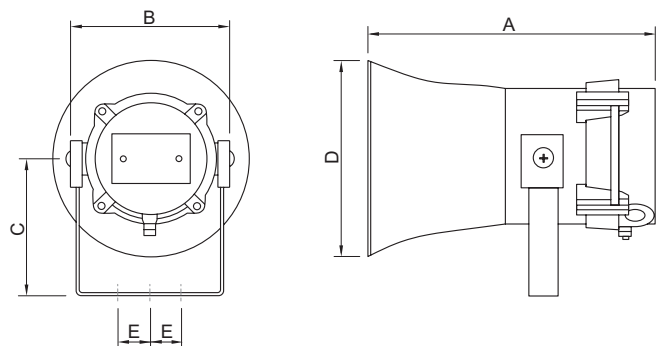
Mounting / Installation

Material mounting parts	Stainless steel
-------------------------	-----------------

Components

Drilled holes	According to the order
Cable entries	Can be ordered as accessories
Stopping plug	Can be ordered as accessories

Dimensional Drawings (All Dimensions in mm [inches]) – Subject to Alterations



We reserve the right to make alterations to the technical data, dimensions, weights, designs and products available without notice. The illustrations cannot be considered binding.