

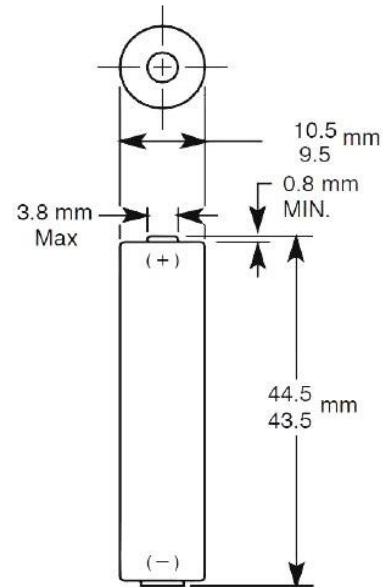


MN2400

Size: AAA (LR03)

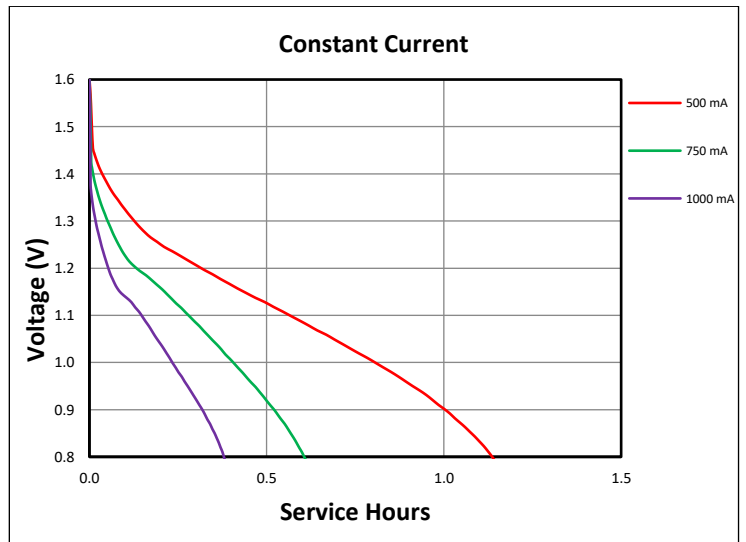
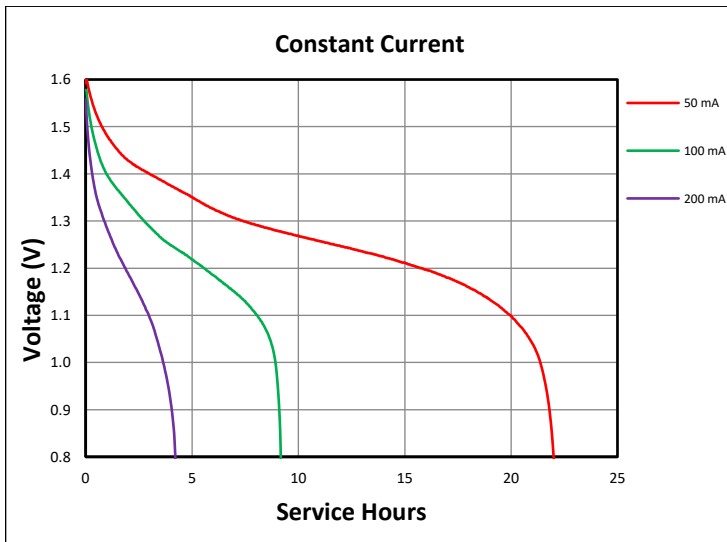
Alkaline-Manganese Dioxide Battery

Zn/MnO₂



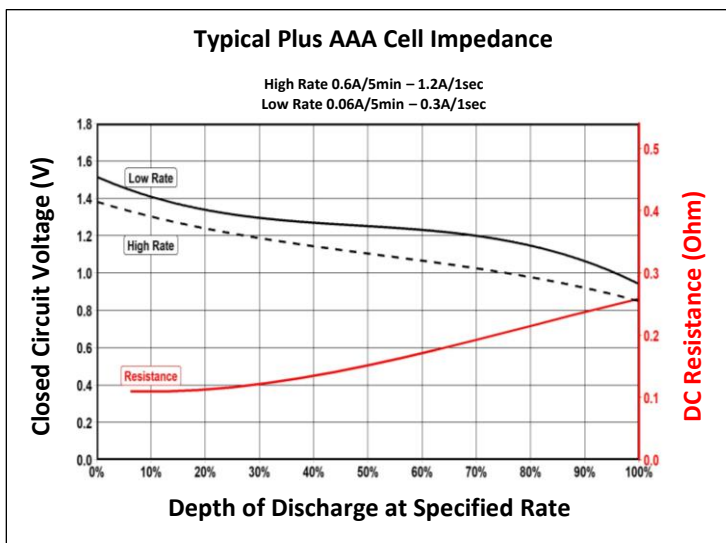
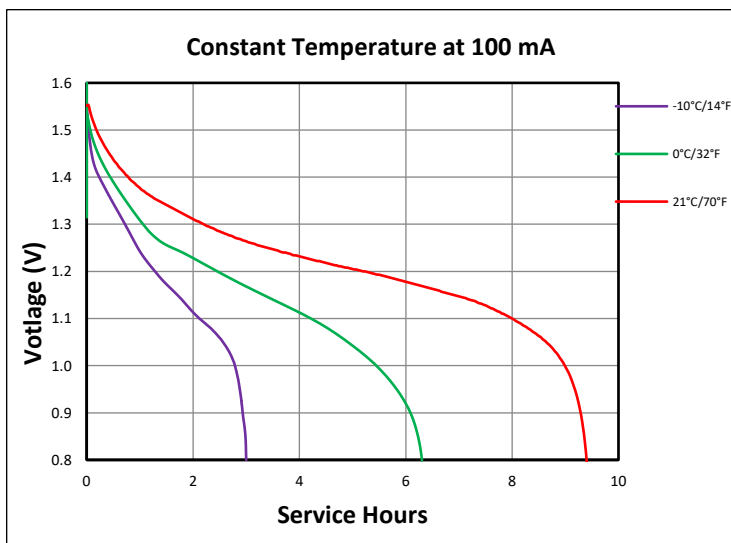
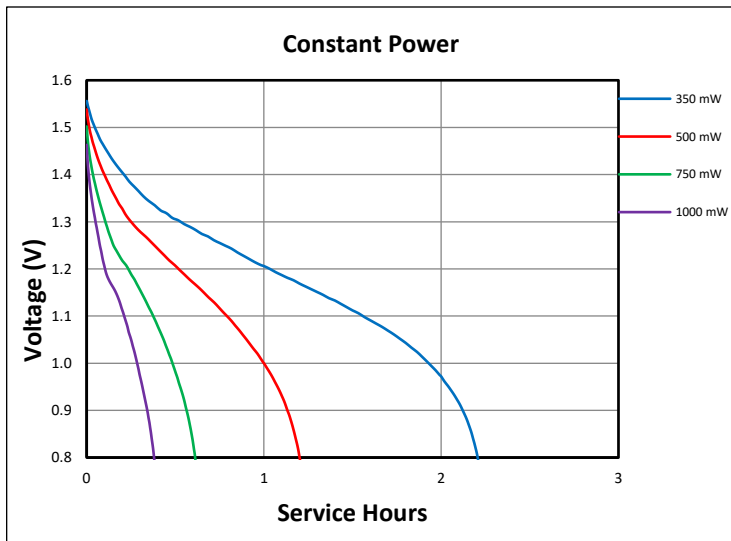
Dimensions shown are ANSI standards

| | |
|------------------------------------|--|
| Nominal voltage | 1.5 V |
| Impedance | 128 m-ohm @ 1 kHz |
| Typical weight | 11 g (0.4 oz) |
| Typical volume | 3.5 cm ³ (0.2 in ³) |
| Terminals | Flat |
| Storage temperature range | 5°C to 30°C (41°F to 86°F) |
| Operating temperature range | -20°C to 54°C (-4°F to 130°F) |
| Designation | ANSI: 24A IEC: LR03 |



Berkshire Corporate Park
 Bethel, CT. 06801 U.S.A.
 Telephone: Toll-free 1-800-544-5454
 www.duracell.com

Delivered capacity is dependent on the applied load, operating temperature and cut-off voltage. Please refer to the charts and discharge data shown for examples of the energy/service life that the battery will provide for various load conditions.



DURACELL[®]

BATTERIES

Berkshire Corporate Park
Bethel, CT. 06801 U.S.A.
Telephone: Toll-free 1-800-544-5454
www.duracell.com

Delivered capacity is dependent on the applied load, operating temperature and cut-off voltage. Please refer to the charts and discharge data shown for examples of the energy/service life that the battery will provide for various load conditions.