

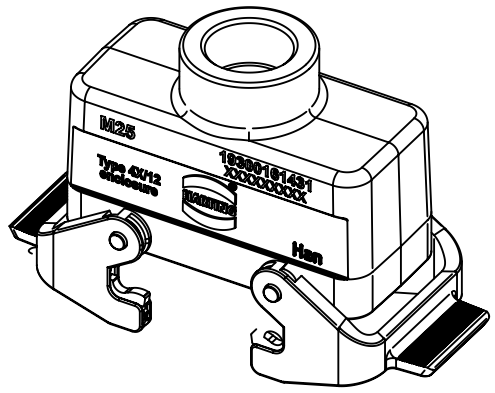
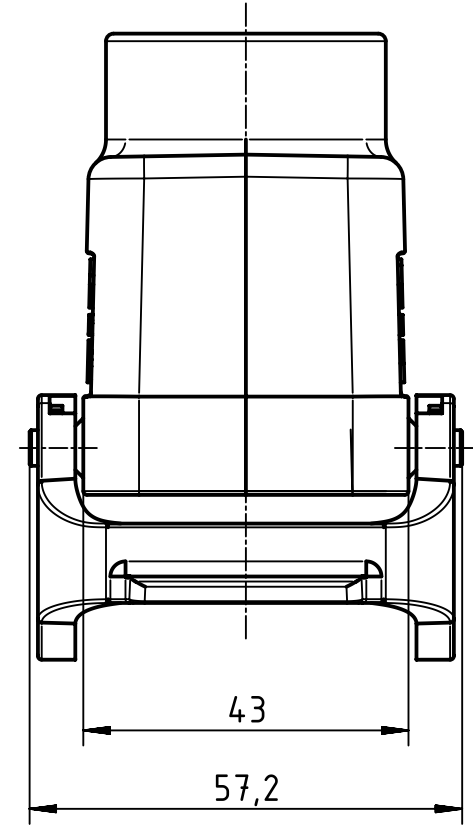
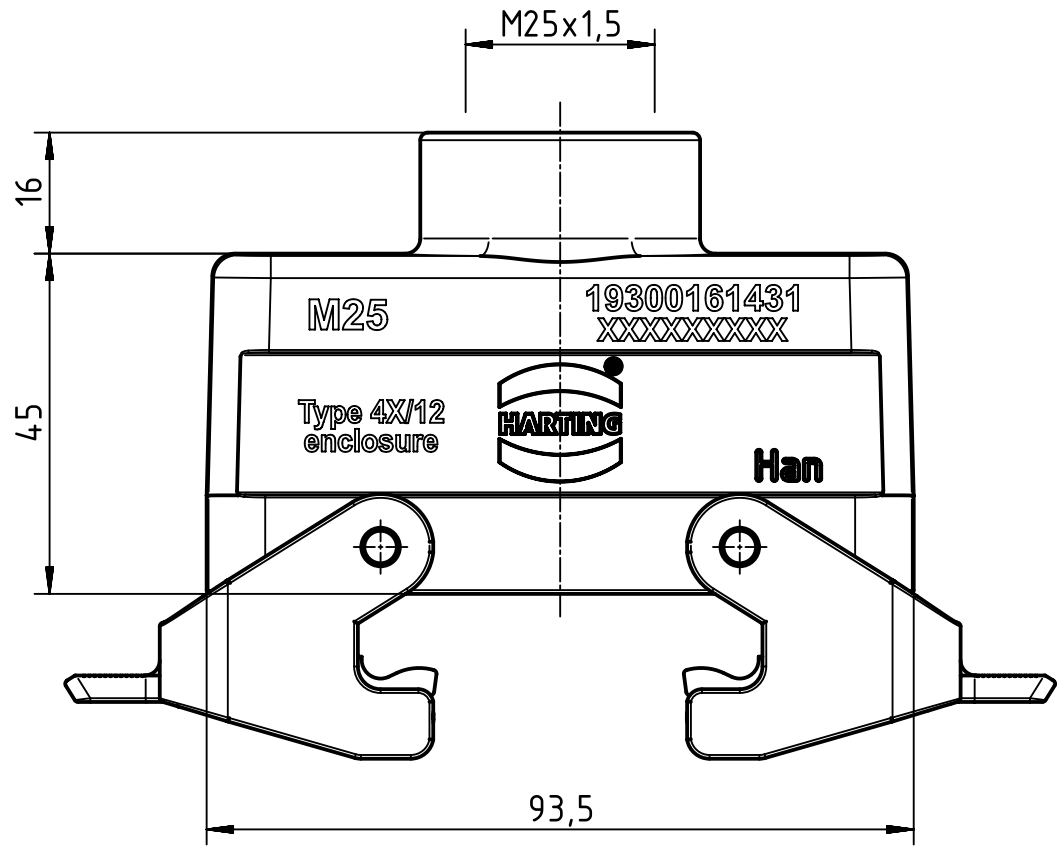
1 2 3 4 5 6

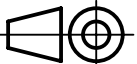

A

B

C

D



 All Dimensions in mm Original Size DIN A4	Scale 1:1		Free size tol.		Ref.	
	Created by FINKEV		Inspected by BERGHORN	Standardisation TIEMANNA	Date 2017-01-17	Sub.
 All rights reserved Department EL PD - DE	Title Han 16B-gg-QB-M25			State Final Release		
	HARTING Electric GmbH & Co. KG D-32339 Espelkamp			Type TB	Number 19 30 016 1431	Doc-Key / ECM-Nr. 100193860/UGD/004/B 500000111912
					Rev. B	Page 1/1