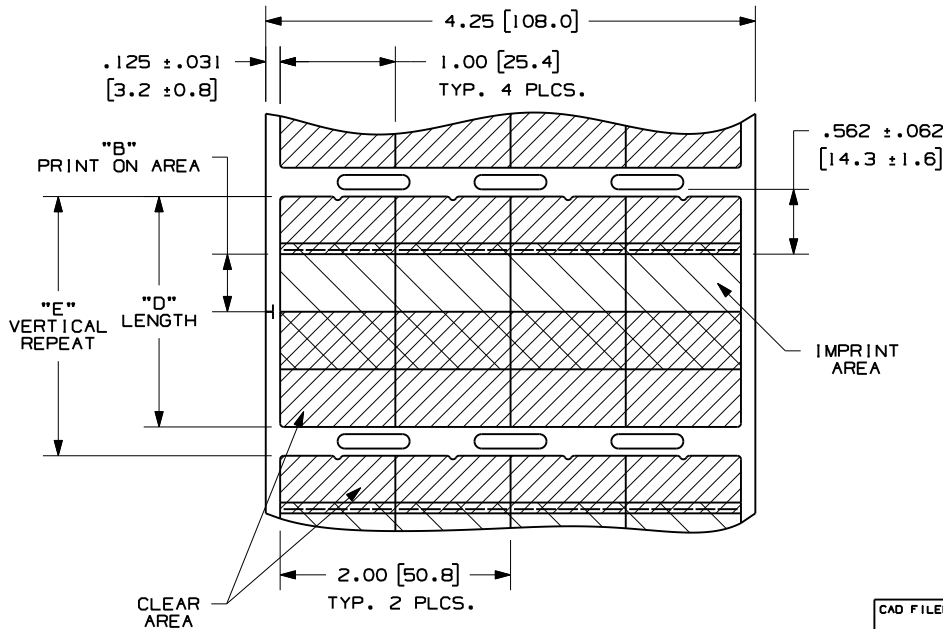


THIS COPY IS PROVIDED ON A RESTRICTED BASIS AND IS NOT TO BE USED IN ANY WAY DETRIMENTAL TO THE INTERESTS OF PANDUIT CORP.

PART NUMBER	APPLICATION DIAMETER RANGE	MATERIAL	"B" +/- .062 PRINT ON AREA	"D" +/- .062 LENGTH	"E" VERTICAL REPEAT	LABELS PER ROW	STANDARD PKG. QTY.
R100X075VIT	.120"-.160"	GMH6	.25 (6.4)	1.25 (31.8)	1.50 (38.1)	4	2500
R100X125VIT	.160"-.220"	GMH6	.38 (9.5)	1.75 (44.5)	2.00 (50.8)	4	2500
R100X150V•T	.220"-.280"	GMH6	.50 (12.7)	2.00 (50.8)	2.25 (57.2)	4	2500
R100X225V•T	.280"-.390"	GMH6	.75 (19.1)	2.75 (69.9)	3.00 (76.2)	4	2500
R100X400VIT	.390"-.950"	GMH6	1.00 (25.4)	4.50 (114.3)	4.75 (120.7)	4	1000
R200X150VIT	.220"-.280"	GMH6	.50 (12.7)	2.00 (50.8)	2.25 (57.2)	2	1000
R200X225VIT	.280"-.390"	GMH6	.75 (19.1)	2.75 (69.9)	3.00 (76.2)	2	1000
R200X400VIT	.390"-.950"	GMH6	1.00 (25.4)	4.50 (114.3)	4.75 (120.7)	2	1000

SEE • COLOR OPTION



* COLOR OPTION

PART NUMBER	COLOR
R100X150VIT	WHITE
R100X150V2T	TIA BLUE
R100X150V3T	TIA GREEN
5 R100X150V4T	TIA GRAY
R100X150V7T	TIA RED
R100X150V8T	TIA YELLOW
R100X225VIT	WHITE
R100X225V2T	TIA BLUE
R100X225V3T	TIA GREEN
5 R100X225V4T	TIA GRAY
R100X225V7T	TIA RED
R100X225V8T	TIA YELLOW

NOTES:
 1. MILLIMETERS ARE IN [].
 2. SEE B20392 FOR INSTALLATION INSTRUCTIONS.

CAD FILENAME/LAYERS 100147BD-DC-C10784/10F

PANDUIT CORP. TINLEY PARK, ILLINOIS

CUSTOMER DRAWING
 TURN TELL ROTATABLE
 SELF-LAMINATING LABEL, R***X***V•T

UNLESS OTHERWISE SPECIFIED,
 DIMENSIONAL TOLERANCES ARE:
 (.X) ± .12 (.XXX) ± .025
 (.XX) ± .062 ANGLES ±

UNLESS OTHERWISE SPECIFIED,
 ALL DIMENSIONS ARE GIVEN
 IN INCHES, THIRD ANGLE PROJECTION.

DRAWN BY
 RVU

MAT'L;

SCALE NTS

DATE
 9/1/09

SEE TABLE

DRAWING NO.

C10784

DWG
 A
 SIZE

CHK'D

REV	DATE	BY	CHK	DESCRIPTION	ECN	R	CUST	SUP
5	8/23/12	RVU		ADD PN, R100X150V4T, TIA GRAY, AND R100X225V4T, TIA GRAY.	GAECN00194		R	
4	3/1/11	RVU		UPDATE DRAWING INTO DATABASE. .220"-.280" was .180"-.280". "B" WAS "A". "E" WAS "F".	6322		R	
3	12/27/10	RVU		ADD NEW PN: R200X150VIT.	6268		R	
2	4/20/10	RVU		ADD COLOR OPTION TABLE.	6025		R	
1	9/24/09	RVU		DRAWING RELEASE.	5845		R	
0	9/10/09	RVU		VOID				