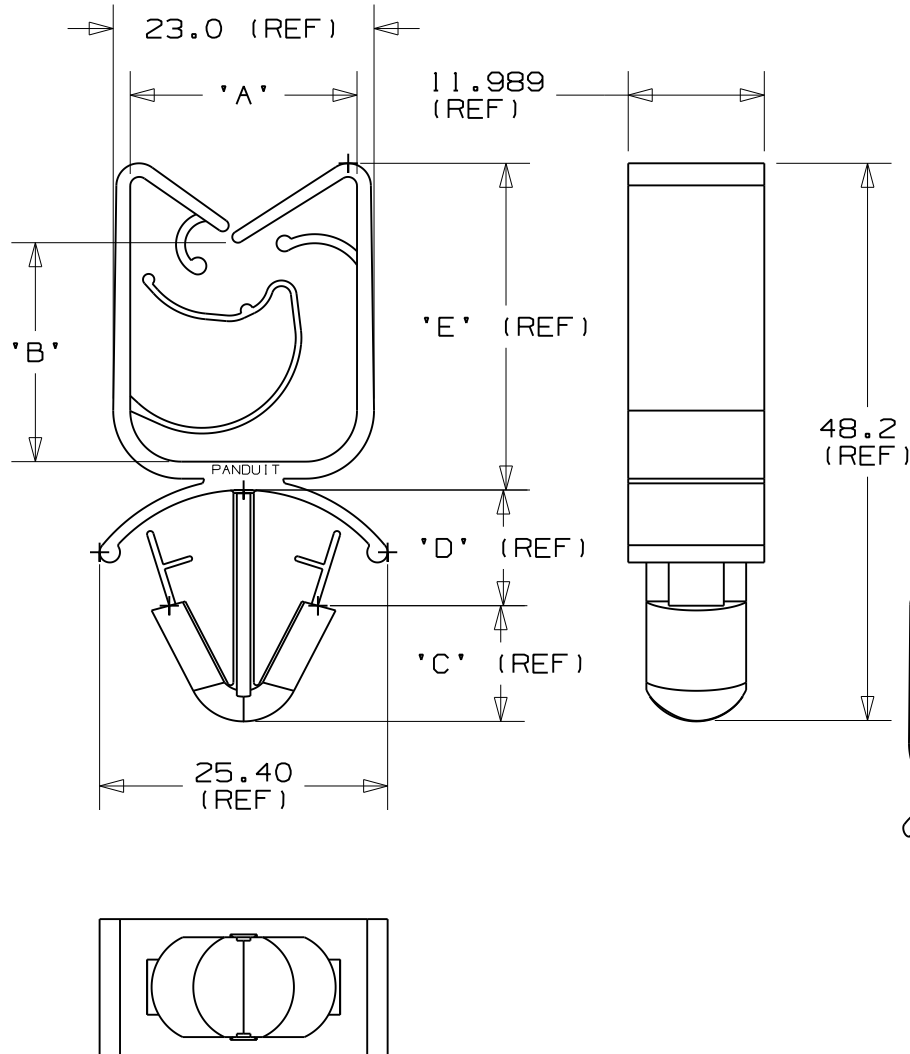


THIS COPY IS PROVIDED ON A RESTRICTED BASIS AND IS NOT TO BE USED IN ANY WAY DETRIMENTAL TO THE INTERESTS OF PANDUIT CORP.

PANDUIT PART NO.	BUNDLE DIA MIN - MAX.	DIMENSIONS					MATERIAL	COLOR
		'A'	'B'	'C'	'D'	'E'		
HCMP06E16-30	6.0 - 16.0	19.0	18.9	10.0	10.4	27.8	HEAT STABILIZED NYLON 6/6	BLACK



NOTES:

1. SEE CURRENT PRICE SHEET FOR PART NUMBER SUFFIX DESIGNATION FOR PACKAGE SIZE, AND COLOR.
2. (\*) DIMENSIONAL VARIANCE IS POSSIBLE DUE TO MOLDING PROCESS RELATED SINK MARKS.
3. APPLICATION SPECIFICATION:  
 HOLE DIAMETER: 9.0 - 11.0 mm  
 PANEL THICKNESS: 3.0 - 8.0 mm

CAD FILENAME/LAYERS G01932BW\_PB\_HCMP06E16\_00

**PANDUIT** CORP. TINLEY PARK, ILLINOIS

HARNESS CLIP WITH PUSH MOUNT ANCHOR

UNLESS OTHERWISE SPECIFIED, ALL DIMENSIONS ARE METRIC, TOLERANCE: ±0.5mm

DRAWN BY JAD MAT'L: SCALE NONE

DATE 4/30/03 SEE TABLE

CHK'D DRAWING NO. GB1932BW

DWG SIZE A

R	4/30/03	JAD		INITIAL RELEASE	GB1932BW	R		
REV	DATE	BY	CHK	DESCRIPTION	ECN	- R	CUST	SUP