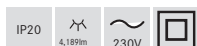
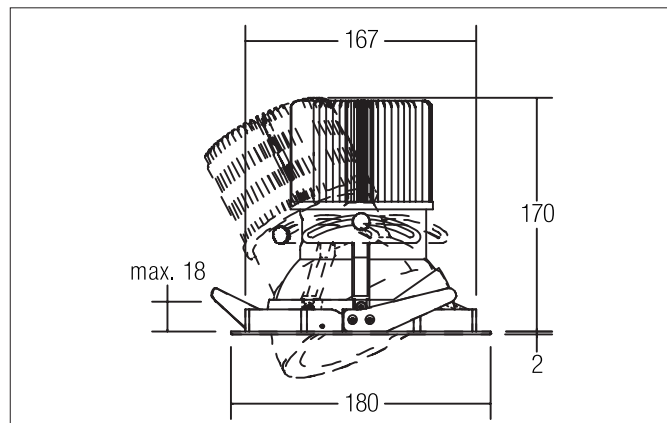


LED recessed spot

Article no. 89049427

Light.
For Generations.**Tender**

LED recessed spot, Round. Ceiling cut-out \varnothing 168 mm, Installation depth 172 mm, Outer diameter 180 mm, Weight 1,473 kg, with rotati-onssymmetrical, deep, wide distributed light intensity. optimal light distribution due to a Without cover cover. Luminous flux 4.189 lm, Power 1 x 40 W, System Efficiency 105 lm/W, Light colour warm white, Correlated color temprature (CCT) 2.700 K, Colour rendering index CRI > 80, Housing material: Aluminium, Colour: Black, Permissible ambient temperature (ta): -20 °C - +25 °C, Protection class (EN 61140): II, Degree of protection (DIN EN 60529): IP20. With electronic driver, on/off switchable.

Article data	
Article no.	89049427
GTIN	4251433948643
Short description	LED recessed spot
Material	Aluminium
Colour	Black
Type of surface	Matt
Shape	Round
Outer diameter	180 mm
Built-in diameter	168 mm
Installation depth	172 mm
Weight	1.473 kg

LED recessed spot
Article no. 89049427Light.
For Generations.

Lighting technology	
Colour temperature	2.700 K
Light colour	White
Light output	Direct
Luminous flux	4,189 lm
System efficiency	105 lm/W
Colour rendering	CRI > 80
Reflector	High-gloss
Light sharing	Symmetric

Operating technology of the luminaire	
System output	40 W
Voltage type	AC
AC nominal voltage max	230 V
Frequenz max.	50 Hz
Lamp	LED
Protection class	II
Degree of protection	IP20
Control	on/off
Bulb change possible	The light source of this luminaire may only be replaced by the manufacturer or a service technician commissioned by him or a similarly qualified person.

Mounting technology	
Mounting method	Recessed mounting
Place of installation	Ceiling-mounted
Adjustability	Rotable and pivoted
Swivel angle	35°
Rotation angle	355°
Material cover	Without cover

Packing data	
Gross weight	1.95 kg
Length of packaging	260 mm
Packaging width	170 mm
Packaging height	260 mm
Disposal at end of life	This product must not be disposed of with household waste. You are obliged, to dispose of such electrical waste separately. By disposing of electrical waste and other old or defective electronics separately, you support recycling or other forms of re-use. In that way you help to take care and to avoid that harmful substances get into the environment.