

Connector - 7 poles with MULTI-GRIP



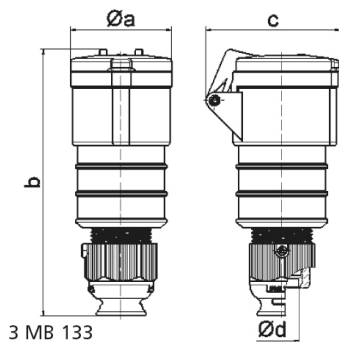
Product description	
BALS-Prd.-Nr	310123
EAN	4024941069403
Product category	connector
Current	32A
Number of poles	7p
Arrangement of phases	6p+PE
Position of earth contact	6 h
Voltage	400V~
Frequency	50/60Hz

Product description	
Protection degree	IP44
Colour code	red RAL 3000
Colour of appliance	Hinged lid red RAL 3000, Enclosure red RAL 3000, Cable gland grey RAL 7035
Connection design	with screw terminal
Maximum conductor size	6,0 qmm
Cable entry	Cable gland
Height	199mm
Width	72mm
Depth	99mm
Material of enclosure	Polyamide
Contacts	the contacts are brass, the contact carrier is made of high temperature resistant material

Additional technical properties	
	For cable diameter from 13 up to max. 27 mm, MULTI-GRIP cable gland with gasket, integrated cable clamp and additional water evacuation openings

Logistics data	
Weight/pcs	0.391 kg / Piece
Packaging	Bag
Content amount	1 ST
EAN	4024941069403

Logistics data	
Length	99 mm
Width	72 mm
Height	199 mm
Weight	0.392 kg
Volume	1,418.472 ccm
Packaging	Carton
Content amount	10 ST
EAN	4024941959070
Length	325 mm
Width	217 mm
Height	210 mm
Weight	4.116 kg
Volume	13,588.4 ccm



Ampere	16	32						
Polzahl	7	7						
a ø	65,0	72,0						
b	168,0	198,0						
c	86,0	99,0						
d ø	21,0	27,0						
Leiter mm ² min	1	2,5						
Leiter mm ² max	2,5	6						