

panel mounting appliance inlet - with hinged cover



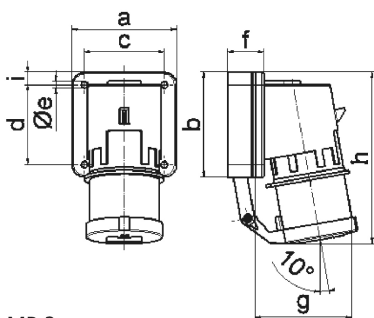
Product description	
BALS-Prd.-Nr	2626
EAN	4024941026260
Product category	Surface mounting appliance inlet
Current	16A
Number of poles	3p
Arrangement of phases	2P+PE
Position of earth contact	6 h
Voltage	200 - 250V~
Frequency	50/60Hz

Product description	
Protection degree	IP44
Colour code	blue RAL 5015
Colour of appliance	Enclosure grey RAL 7035, Hinged lid grey RAL 7035, Collar blue RAL 5015
Connection design	with screw terminal
Maximum conductor size	2,5 qmm
Cable entry	other
Height	132mm
Width	74mm
Depth	80mm
Flange size vertical in mm	84mm
Flange size horizontal in mm	74mm
Drill hole dist. vertical mm	64mm
Drill hole dist. horizontal mm	58mm
Material of enclosure	Polyamide
Contacts	the contacts are brass nickel plated, The contact carrier is made of polyamide

Additional technical properties	
	With hinged lid

Logistics data	
Weight/pcs	0.161 kg / Piece

Logistics data	
Packaging	Bag
Content amount	1 ST
EAN	4024941026260
Length	80 mm
Width	74 mm
Height	132 mm
Weight	0.162 kg
Volume	781.44 ccm
Packaging	Carton
Content amount	10 ST
EAN	4024941969024
Length	245 mm
Width	177 mm
Height	185 mm
Weight	1.743 kg
Volume	7,140 ccm



Ampere Polzahl	16 3	16 4	16 5	32 3	32 4	32 5
a	74,0	75,0	84,0	90,0	90,0	90,0
b	84,0	100,0	84,0	75,0	75,0	75,0
c	58,0	62,0	64,0	78,0	78,0	78,0
d	64,0	74,0	64,0	45,0	45,0	45,0
e ø	5,5	4,3	5,5	5,5	5,5	5,5
f	12,0	12,0	29,0	29,0	29,0	29,0
g	78,0	88,0	105,0	114,0	114,0	115,0
h	134,0	151,0	138,0	149,0	149,0	150,0
i	-	-	-	13,0	13,0	13,0
Leiter mm ² min	1	1	1	2,5	2,5	2,5
Leiter mm ² max	2,5	2,5	2,5	6	6	6