

panel mounting appliance inlet - with closure cap



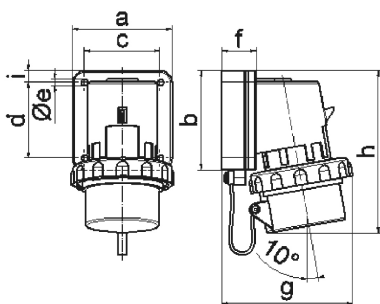
Product description	
BALS-Prd.-Nr	2638
EAN	4024941026383
Product category	Surface mounting appliance inlet
Current	16A
Number of poles	3p
Arrangement of phases	2P+PE
Position of earth contact	6 h
Voltage	200 - 250V~
Frequency	50/60Hz

Product description	
Protection degree	IP67
Colour code	blue RAL 5015
Colour of appliance	Collar blue RAL 5015, Enclosure grey RAL 7035, Bayonet ring grey RAL 7035, Closure cap grey RAL 7035
Connection design	with screw terminal
Maximum conductor size	2,5 qmm
Cable entry	other
Height	132mm
Width	74mm
Depth	80mm
Flange size vertical in mm	84mm
Flange size horizontal in mm	74mm
Drill hole dist. vertical mm	64mm
Drill hole dist. horizontal mm	58mm
Material of enclosure	Polyamide
Contacts	the contacts are brass nickel plated, The contact carrier is made of polyamide

Additional technical properties	
	With closure cap

Logistics data	
Weight/pcs	0.196 kg / Piece

Logistics data	
Packaging	Bag
Content amount	1 ST
EAN	4024941026383
Length	80 mm
Width	74 mm
Height	132 mm
Weight	0.197 kg
Volume	781.44 ccm
Packaging	Carton
Content amount	10 ST
EAN	4024941966207
Length	258 mm
Width	183 mm
Height	212 mm
Weight	2.112 kg
Volume	8,750 ccm



5 MB 3

Ampere	16	16	16	32	32	32
Polzahl	3	4	5	3	4	5
a	74,0	75,0	84,0	90,0	90,0	90,0
b	84,0	100,0	84,0	75,0	75,0	75,0
c	58,0	62,0	64,0	78,0	78,0	78,0
d	64,0	74,0	64,0	45,0	45,0	45,0
e ø	5,5	4,3	5,5	5,5	5,5	5,5
f	12,0	12,0	29,0	29,0	29,0	29,0
g	80,0	88,0	111,0	123,0	123,0	123,0
h	133,0	152,0	134,0	147,0	147,0	148,0
i	-	-	10,0	13,0	13,0	13,0
Leiter mm ² min	1	1	1	2,5	2,5	2,5
Leiter mm ² max	2,5	2,5	2,5	6	6	6