

phase inverter, as wall panel mounting appliance inlet -  
with hinged cover

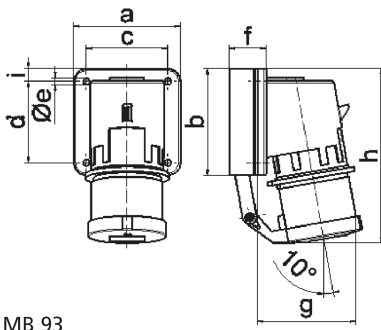


Product description	
BALS-Prd.-Nr	2674
EAN	4024941026741
Product category	Phase inverter as surface mounting appliance inlet
Current	32A
Number of poles	5p
Arrangement of phases	3p+N+PE
Position of earth contact	6 h
Voltage	200/346 - 240/415V~

Product description	
Frequency	50/60Hz
Protection degree	IP44
Colour code	red RAL 3000
Colour of appliance	Hinged lid grey RAL 7035, Enclosure grey RAL 7035, Collar red RAL 3000
Connection design	with screw terminal
Maximum conductor size	6,0 qmm
Cable entry	other
Height	148mm
Width	90mm
Depth	116mm
Flange size vertical in mm	75mm
Flange size horizontal in mm	90mm
Drill hole dist. vertical mm	45mm
Drill hole dist. horizontal mm	78mm
Material of enclosure	Polyamide
Contacts	the contacts are brass nickel plated, The contact carrier is made of polyamide

Additional technical properties	
	With hinged lid

Logistics data	
Weight/pcs	0.342 kg / Piece
Packaging	Bag
Content amount	1 ST
EAN	4024941026741
Length	116 mm
Width	90 mm
Height	148 mm
Weight	0.343 kg
Volume	1,545.12 ccm
Packaging	Carton
Content amount	10 ST
EAN	4024941967730
Length	330 mm
Width	216 mm
Height	260 mm
Weight	3.646 kg
Volume	17,062.5 ccm



Ampere	16	32				
Polzahl	5	5				
a	84,0	90,0				
b	84,0	75,0				
c	64,0	78,0				
d	64,0	45,0				
e ø	5,5	5,5				
f	29,0	29,0				
g	105,0	115,0				
h	138,0	150,0				
i	10,0	13,0				
Leiter mm <sup>2</sup> min	1	2,5				
Leiter mm <sup>2</sup> max	2,5	6				

5 MB 93