

panel mounting appliance inlet - with closure cap



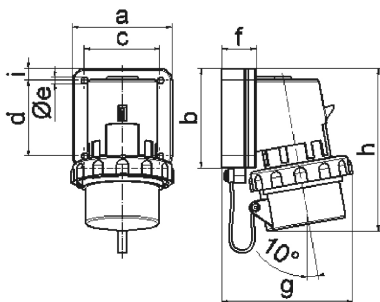
Product description	
BALS-Prd.-Nr	2660
EAN	4024941026604
Product category	Surface mounting appliance inlet
Current	32A
Number of poles	4p
Arrangement of phases	3P+PE
Position of earth contact	6 h
Voltage	380 - 415V~
Frequency	50/60Hz

Product description	
Protection degree	IP67
Colour code	red RAL 3000
Colour of appliance	Closure cap grey RAL 7035, Flange grey RAL 7035, Enclosure grey RAL 7035, Collar red RAL 3000
Connection design	with screw terminal
Maximum conductor size	6,0 qmm
Cable entry	other
Height	147mm
Width	94mm
Depth	121mm
Flange size vertical in mm	75mm
Flange size horizontal in mm	90mm
Drill hole dist. vertical mm	45mm
Drill hole dist. horizontal mm	78mm
Material of enclosure	Polyamide
Contacts	The contact carrier is made of polyamide, the contacts are brass nickel plated

Additional technical properties	
	With closure cap

Logistics data	
Weight/pcs	0.387 kg / Piece

Logistics data	
Packaging	Bag
Content amount	1 ST
EAN	4024941026604
Length	121 mm
Width	94 mm
Height	147 mm
Weight	0.388 kg
Volume	1,671.978 ccm
Packaging	Carton
Content amount	10 ST
EAN	4024941818933
Length	330 mm
Width	216 mm
Height	260 mm
Weight	4.096 kg
Volume	17,062.5 ccm



5 MB 3

Ampere	16	16	16	32	32	32
Polzahl	3	4	5	3	4	5
a	74,0	75,0	84,0	90,0	90,0	90,0
b	84,0	100,0	84,0	75,0	75,0	75,0
c	58,0	62,0	64,0	78,0	78,0	78,0
d	64,0	74,0	64,0	45,0	45,0	45,0
e ø	5,5	4,3	5,5	5,5	5,5	5,5
f	12,0	12,0	29,0	29,0	29,0	29,0
g	80,0	88,0	111,0	123,0	123,0	123,0
h	133,0	152,0	134,0	147,0	147,0	148,0
i	-	-	10,0	13,0	13,0	13,0
Leiter mm ² min	1	1	1	2,5	2,5	2,5
Leiter mm ² max	2,5	2,5	2,5	6	6	6