

## panel mounting appliance inlet - without hinged cover

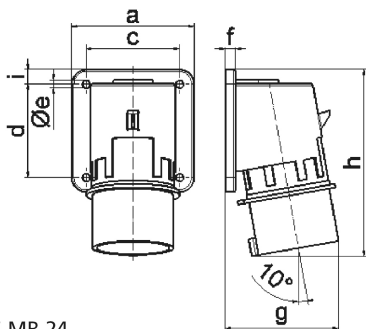


Product description	
BALS-Prd.-Nr	2612
EAN	4024941026123
Product category	Surface mounting appliance inlet
Current	16A
Number of poles	5p
Arrangement of phases	3p+N+PE
Position of earth contact	6 h
Voltage	200/346 - 240/415V~
Frequency	50/60Hz

Product description	
Protection degree	IP44
Colour code	red RAL 3000
Colour of appliance	Enclosure grey RAL 7035, Collar red RAL 3000
Connection design	with screw terminal
Maximum conductor size	2,5 qmm
Cable entry	other
Height	129mm
Width	84mm
Depth	78mm
Flange size vertical in mm	84mm
Flange size horizontal in mm	84mm
Drill hole dist. vertical mm	64mm
Drill hole dist. horizontal mm	64mm
Material of enclosure	Polyamide
Contacts	The contacts are brass, The contact carrier is made of polyamide

Logistics data	
Weight/pcs	0.179 kg / Piece
Packaging	Bag
Content amount	1 ST
EAN	4024941026123

Logistics data	
Length	78 mm
Width	84 mm
Height	129 mm
Weight	0.18 kg
Volume	845.208 ccm
Packaging	Carton
Content amount	10 ST
EAN	4024941966191
Length	258 mm
Width	183 mm
Height	212 mm
Weight	1.942 kg
Volume	8,750 ccm



5 MB 24

Ampere	16	16	16	32	32	32
Polzahl	3	4	5	3	4	5
a	74,0	75,0	84,0	90,0	90,0	90,0
b	84,0	100,0	84,0	75,0	75,0	75,0
c	58,0	62,0	64,0	78,0	78,0	78,0
d	64,0	74,0	64,0	45,0	45,0	45,0
e ø	5,5	4,3	5,5	5,5	5,5	5,5
f	12,0	12,0	7,0	7,0	7,0	7,0
g	70,0	77,0	78,0	86,0	86,0	88,0
h	128,0	145,0	129,0	138,0	138,0	140,0
i	-	-	-	13,0	13,0	13,0
Leiter mm <sup>2</sup> min	1	1	1	2,5	2,5	2,5
Leiter mm <sup>2</sup> max	2,5	2,5	2,5	6	6	6