

**P**  
Paulmann

**Safety Instructions**

1, 2, 3, 4, 5, 6, 7, 10, 12, 13, 15, 16, 19, 20, 21, 22, 24, 28, 33, 34

31.08.2021  
ENERGY LABEL 874/2012  
A++ - A

01.09.2021  
ENERGY LABEL 2019/2015  
G

www.paulmann.com/symbols

Paulmann Licht GmbH  
Quezinger Feld 2  
31832 Springe  
Germany  
www.paulmann.com

Art.-Nr.: 934.46/47 934.48/49 934.52/53 934.54/50 934.51/55 934.56 944.71  
(+MA326) PSU 07/22

CE UK CA

934.46/934.48 934.47/934.49/934.52/944.71

IP23

1x 1x Incl. 3x 3x Incl.

934.53 934.54 934.50

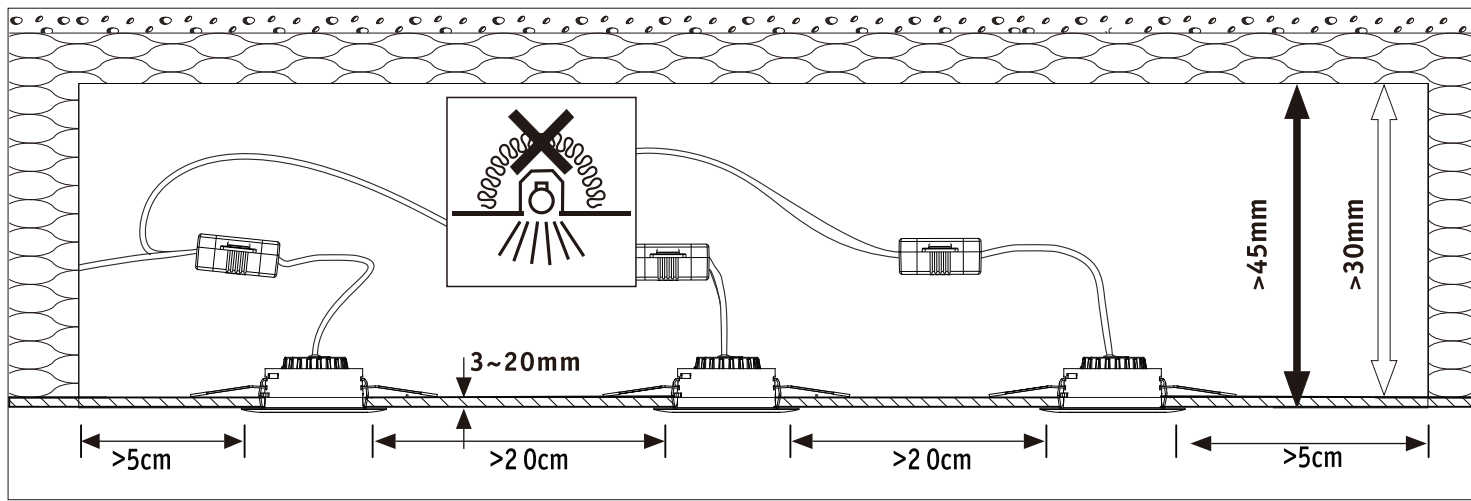
IP23

1x 1x Incl. 3x 3x Incl. 1x 1x Incl.

934.51 934.55 934.56

IP23

3x 3x Incl. 1x 1x Incl. 3x 3x Incl.



IN 230V OUT 230V

IN 230V OUT 230V

IN 230V OUT 230V

IP20

IP23

IP23

**A** Safety Instructions Nr. 1, 4, 5

**B**

**C** Nr. 4, 5, 7

ø 68mm

**D**

**E** 1

Ø12-8mm 7mm 14mm

2

**F** Nr. 3, 4, 5, 6

**F**

**G**

**H**

**I**

on

ENERGY LABEL

Paulmann

470 lm  
6W  
230V

warm white  
2700K

CRI/Ra ≥ 85

ON OFF >50.000

Lumen 60% 2 s

≈30x 1.000h

ø 51 mm

6 kWh/1000h

2019/2015

CE UK CA

390093069

