



Paulmann

**Safety Instructions**

1, 2, 3, 4, 5, 6, 7, 10, 12, 15, 16, 19, 20, 24, 28, 33, 34



31.08.2021



A++ - A

01.09.2021



E



www.paulmann.com/symbols

Paulmann Licht GmbH  
Quezinger Feld 2  
31832 Springe  
Germany

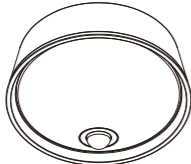


www.paulmann.com

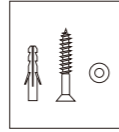
Art.-Nr.: 946.98  
946.99



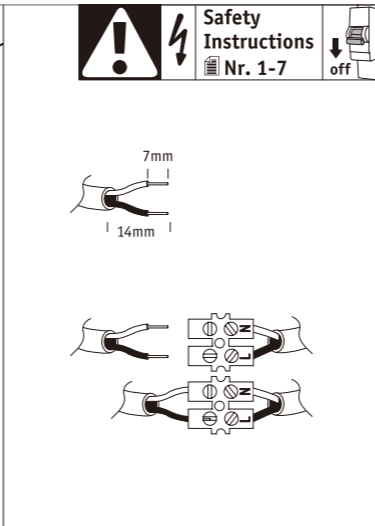
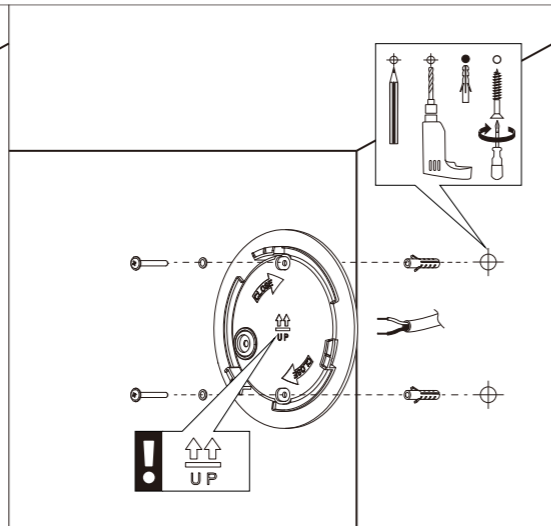
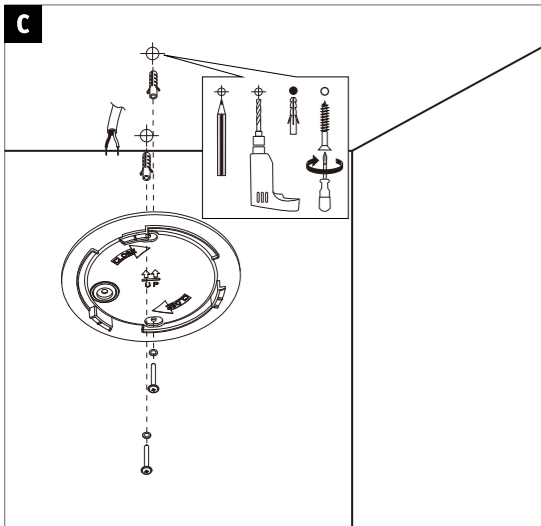
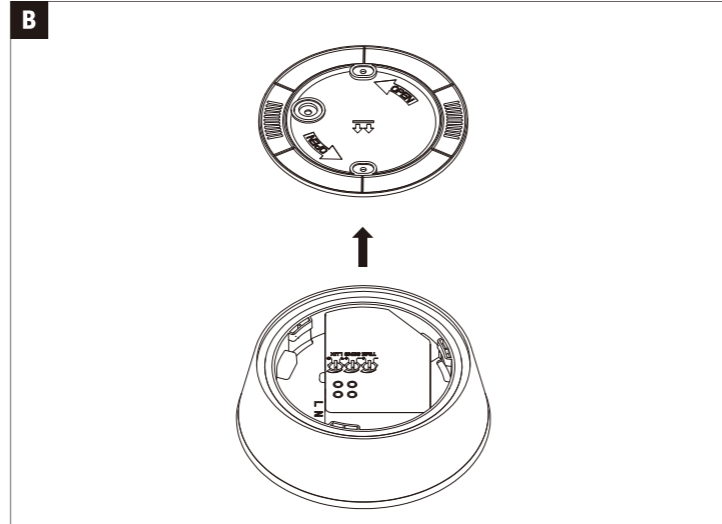
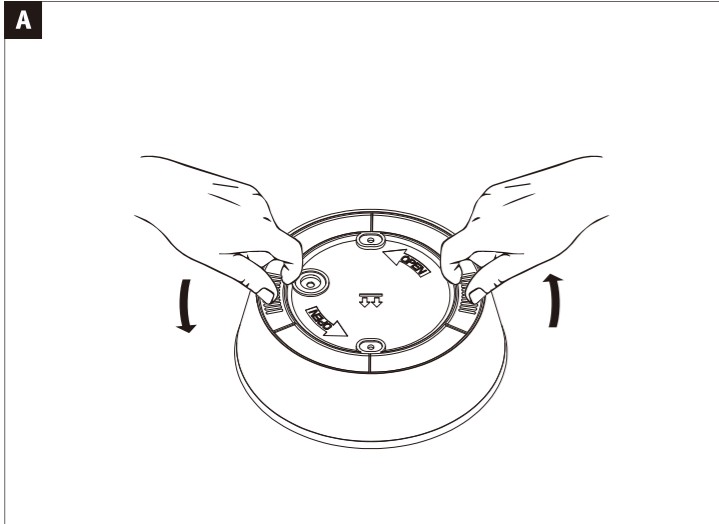
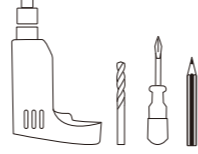
(+MA 326) PARL 03/22



1x



Incl.



Safety Instructions  
Nr. 1-7

