



Paulmann

Safety Instructions

1, 2, 3, 4, 5, 6, 7, 10, 12, 13, 15, 16, 19, 20, 21, 22, 24, 28, 33, 34



31.08.2021

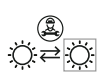


ENERGY CLASS A++ - A

01.09.2021



ENERGY CLASS G



www.paulmann.com/symbols

Paulmann Licht GmbH
Quezinger Feld 2
31832 Springe
Germany

www.paulmann.com

Art.-Nr.: 934.93/94

934.95/96

934.99/97

934.98

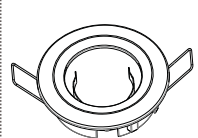
936.90

944.74

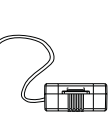
(+MA326) PSU 07/22



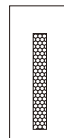
934.93/934.95



1x

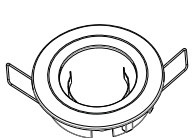


1x

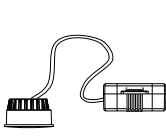


Incl.

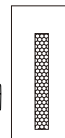
934.94/934.96/934.99/944.74



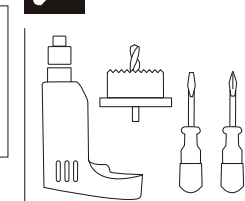
3x



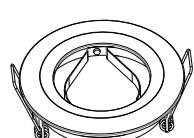
3x



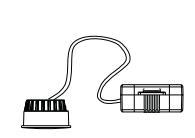
Incl.



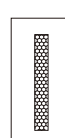
934.97



1x

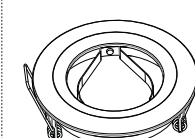


1x

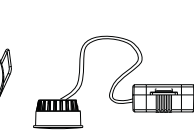


Incl.

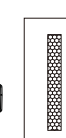
934.98



3x

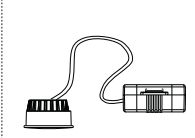


3x

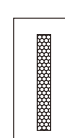


Incl.

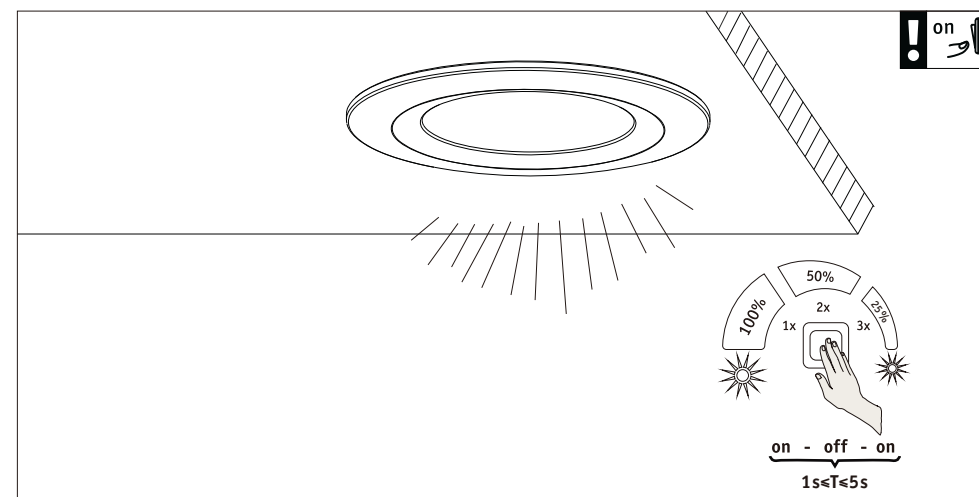
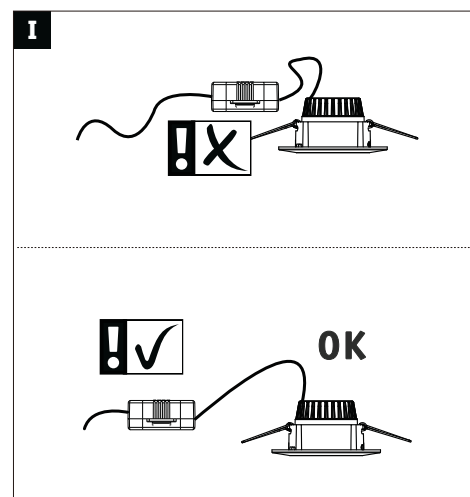
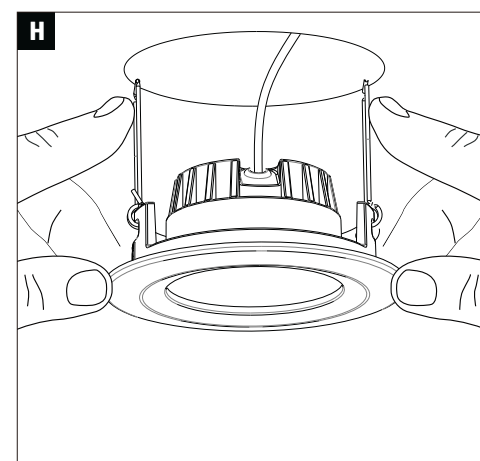
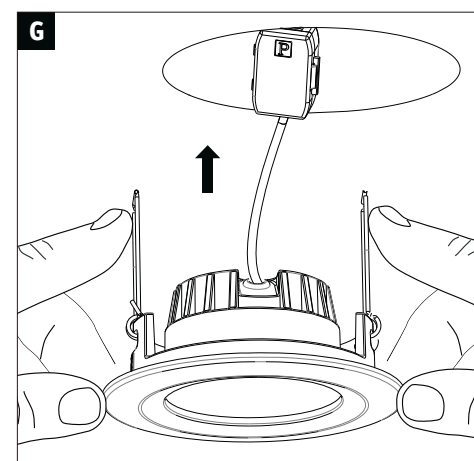
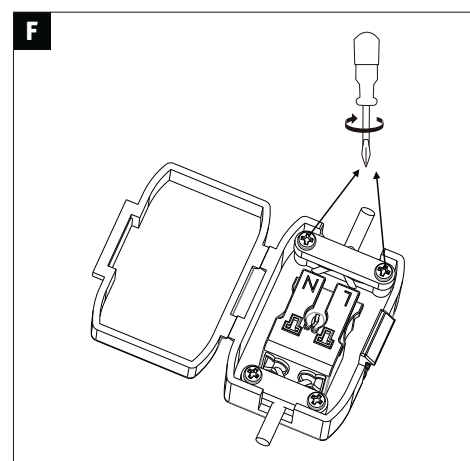
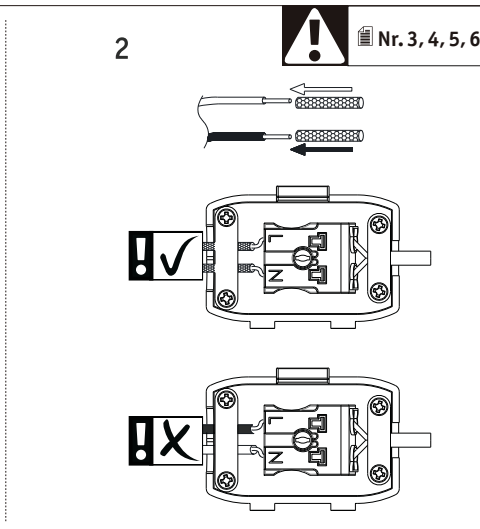
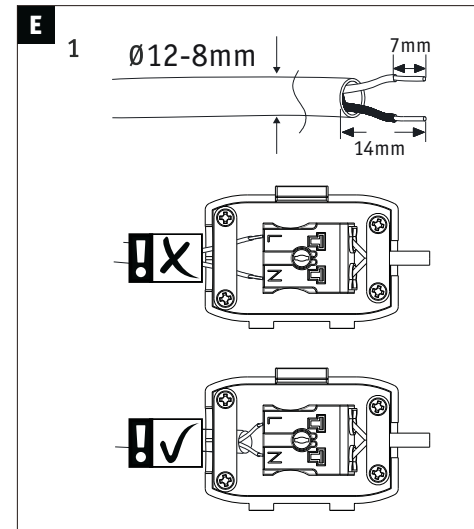
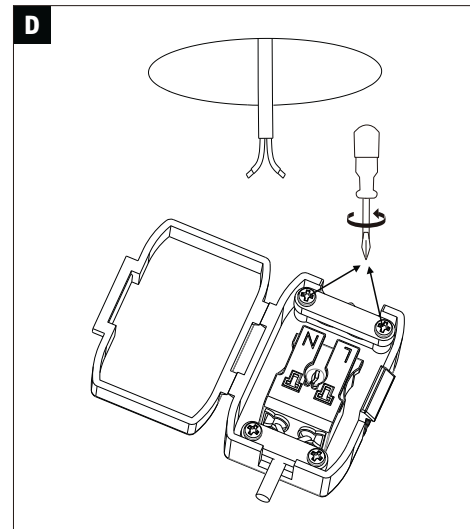
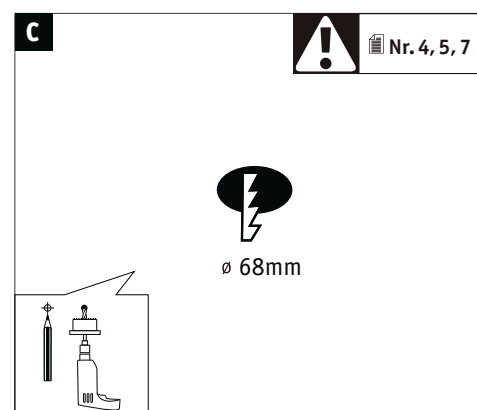
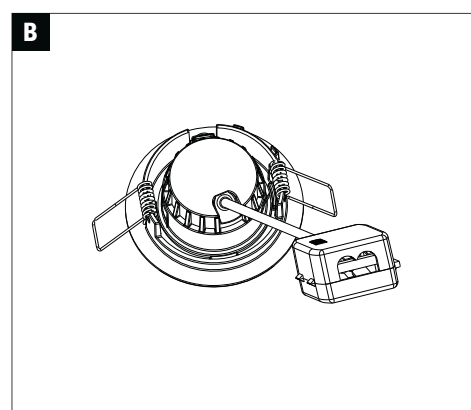
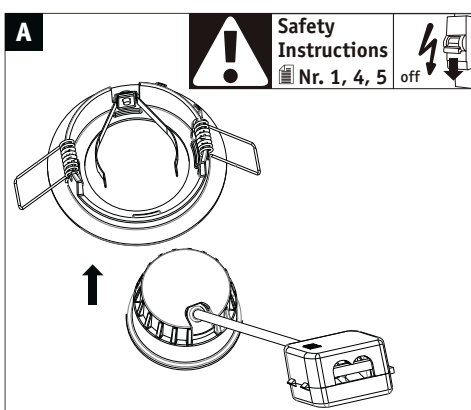
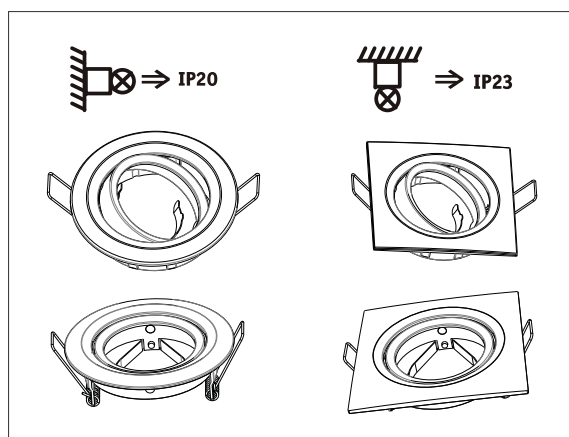
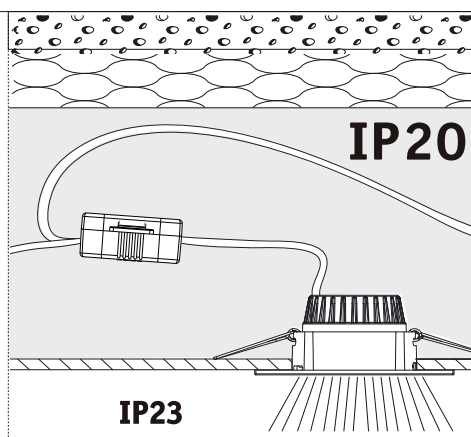
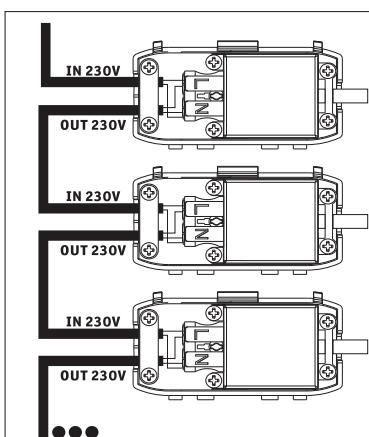
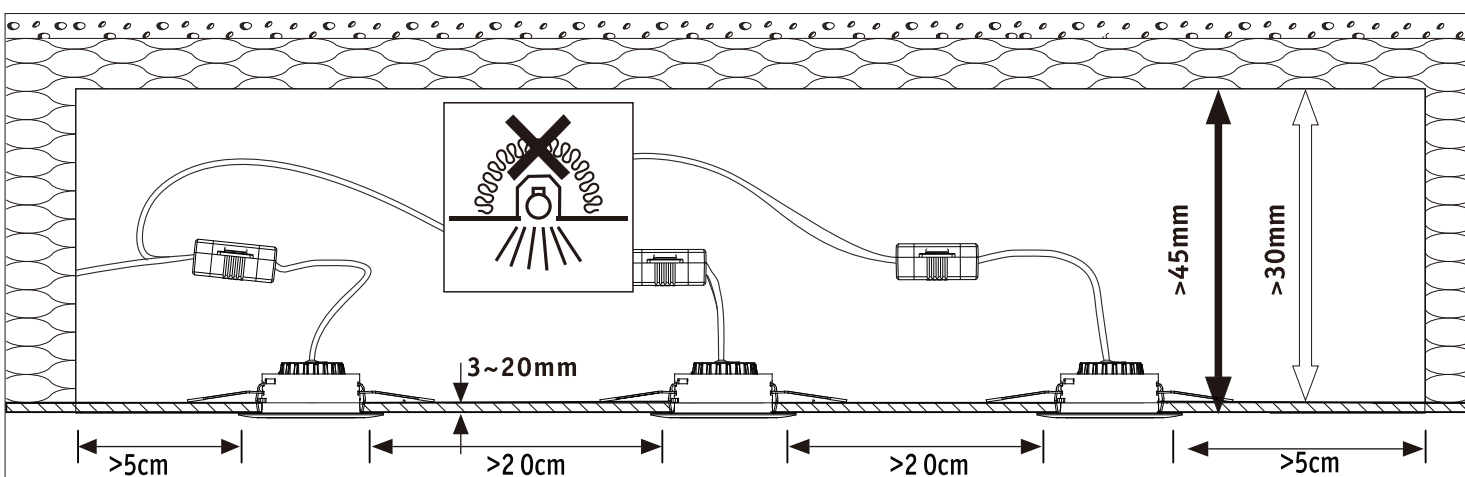
936.90



1x



Incl.



ENERGY
Paulmann

470 lm
6W
230 V

warm white
2700K

CRI/Ra ≥ 85

ON OFF >50.000

Lumen 60% 2 s

dimming

≈30x
1.000h

6 kWh/1000h

5102/1610C

CE UK CA

390093070

