



Safety Instructions

1,2,3,4,5,6,7,9,10,12,13,16,19,
20,21,22,24,28,29,31,32,33,34



31.08.2021

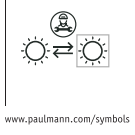


A++ - A

01.09.2021



G



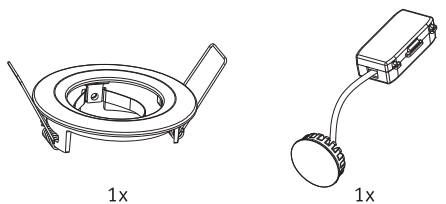
Paulmann Licht GmbH
Quezinger Feld 2
31832 Springe
Germany



Art.-Nr.: 938.69/938.70/938.71
938.72/938.73/938.74
938.88/938.89/938.90
938.91/938.92/938.93
938.94/938.95/939.00
939.01
(+MA326)PBO 07/22

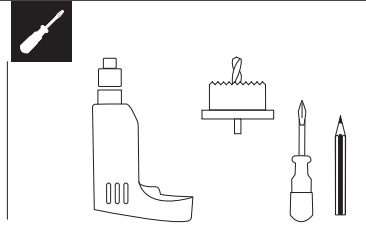


938.69
938.71
938.72
939.00



1x 1x

Incl.



938.70
938.73
938.74
939.01

3x 3x

Incl.

938.88
938.91
938.92
938.94

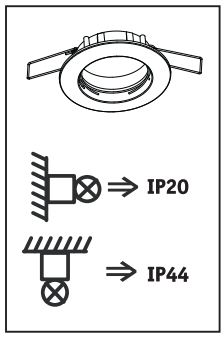
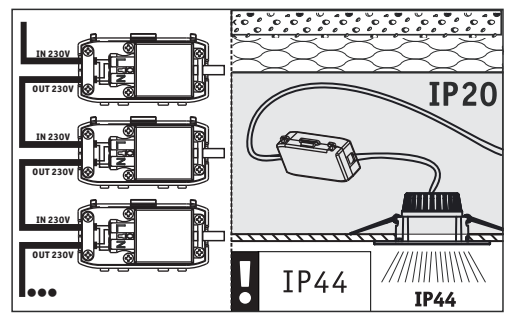
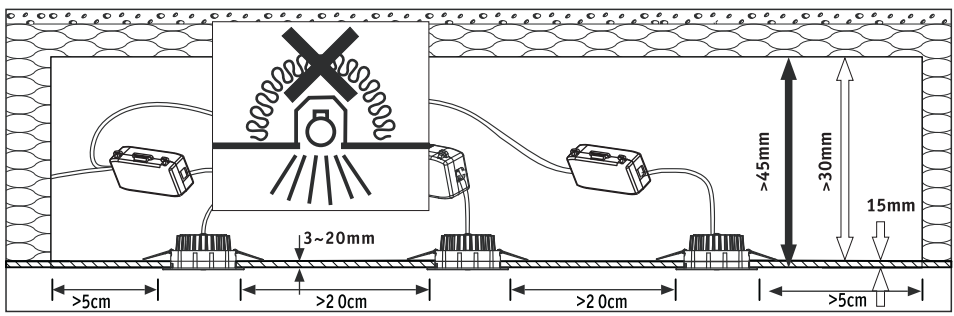
1x 1x

Incl.

938.89
938.90
938.93
938.95

3x 3x

Incl.



A

Safety Instructions
Nr. 5, 7

off

68mm
www.paulmann.com

B

C

Ø8-12mm 7mm 14mm

Nr. 4, 5

D

E

„CLICK“

F

G

H

OK

I

on

min max

