



Paulmann

Safety Instructions

1,2,3,4,5,6,7,9,10,12,13,15,16
19,20,21,22,24,28,29,31,32,
33,34



31.08.2021

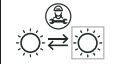


A++ - A

01.09.2021



G



www.paulmann.com/symbols

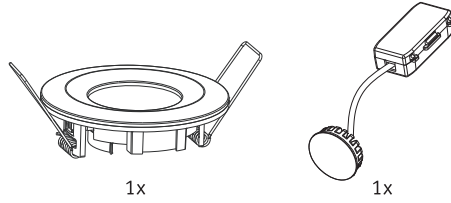
Paulmann Licht GmbH
Quezinger Feld 2
31832 Springe
Germany

www.paulmann.com

Art.-Nr.: 938.81
938.82
938.83



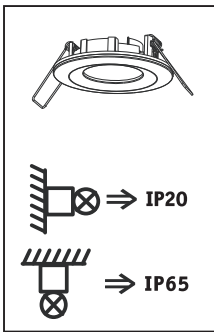
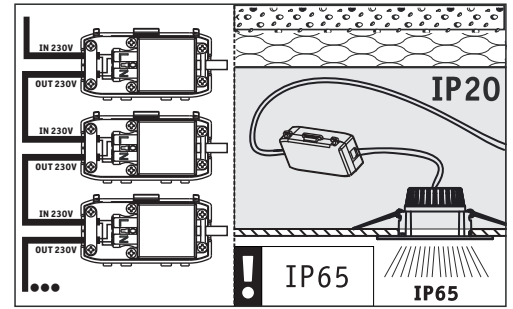
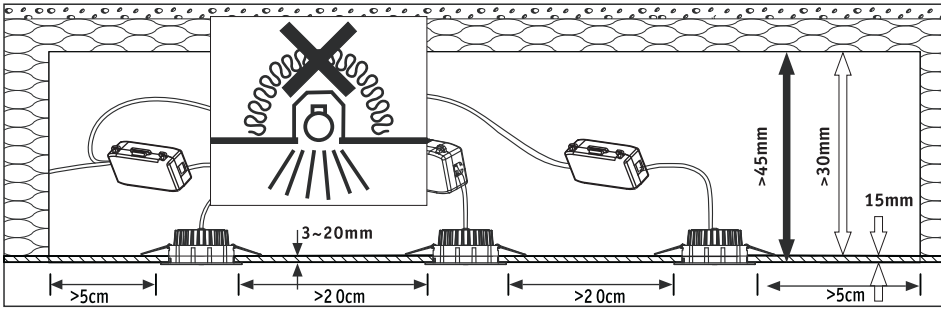
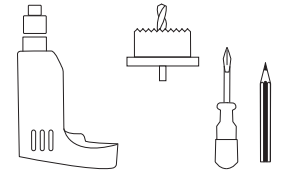
(+MA326)PBO 07/22



1x

1x

Incl.



A Safety Instructions Nr.5,7 off

 68mm www.paulmann.com