



Paulmann

### Safety Instructions

1, 2, 3, 4, 5, 6, 7, 10, 12, 13, 15, 16, 19, 20, 21, 22, 24, 28, 33, 34



31.08.2021

01.09.2021



A++ - A

G



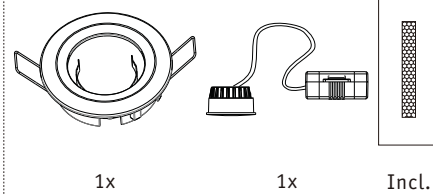
www.paulmann.com/symbols

Paulmann Licht GmbH  
Quezinger Feld 2  
31832 Springe  
Germany  
www.paulmann.com

Art.-Nr.: 934.93/94  
934.95/96  
934.99/97  
934.98  
936.90  
944.74  
(+MA326) PSU 07/22



934.93/934.95

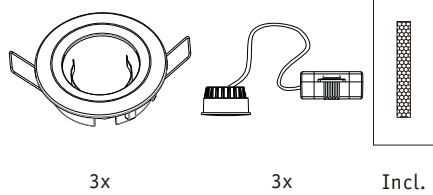


1x

1x

Incl.

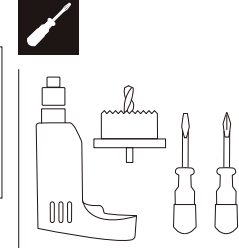
934.94/934.96/934.99/944.74



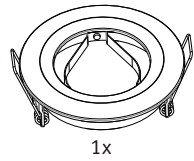
3x

3x

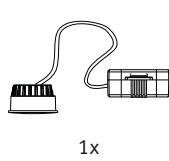
Incl.



934.97



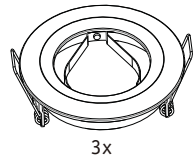
1x



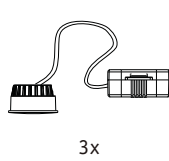
1x

Incl.

934.98



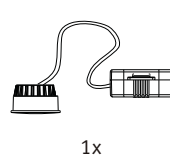
3x



3x

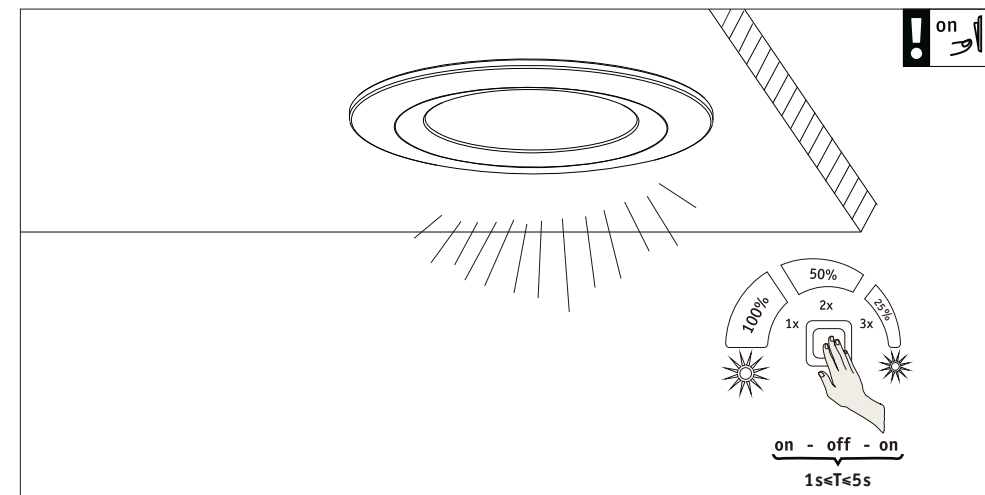
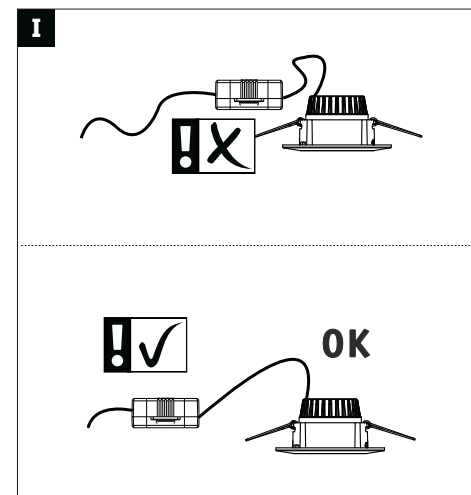
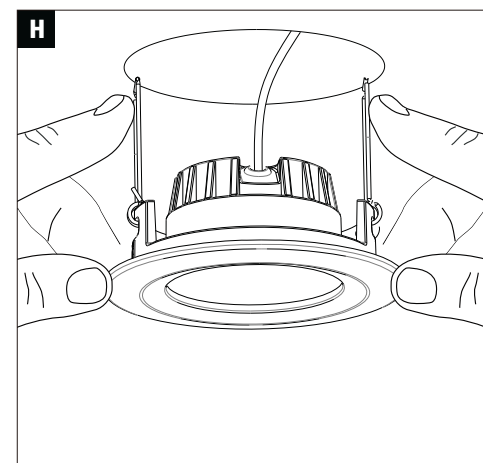
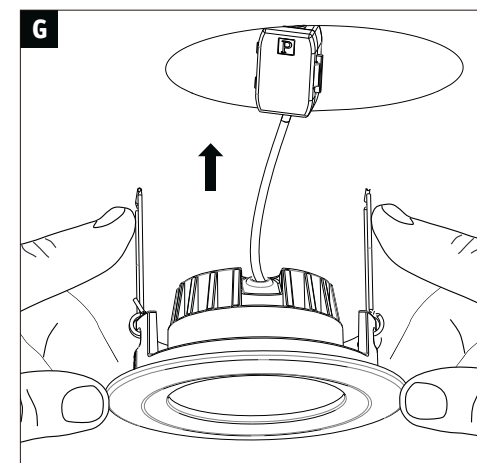
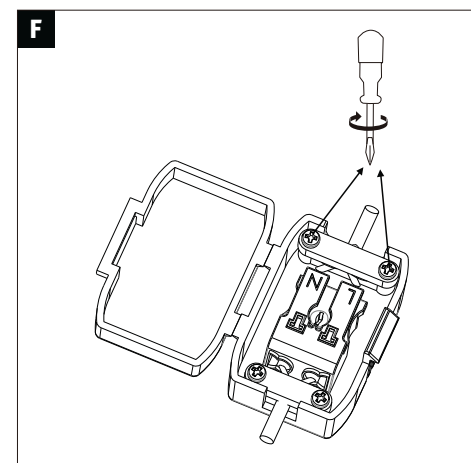
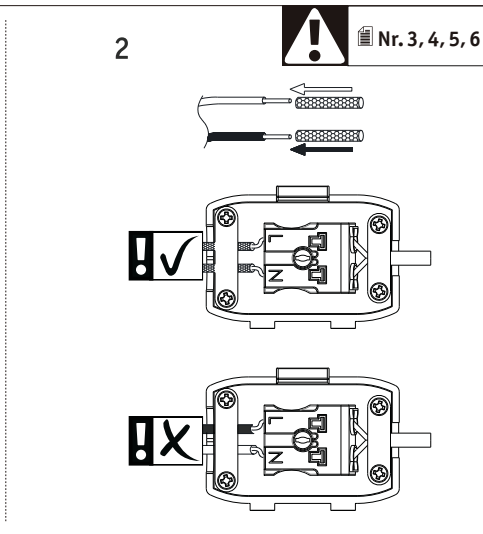
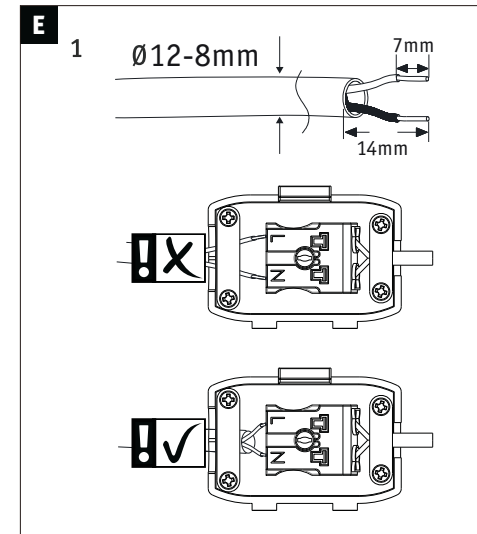
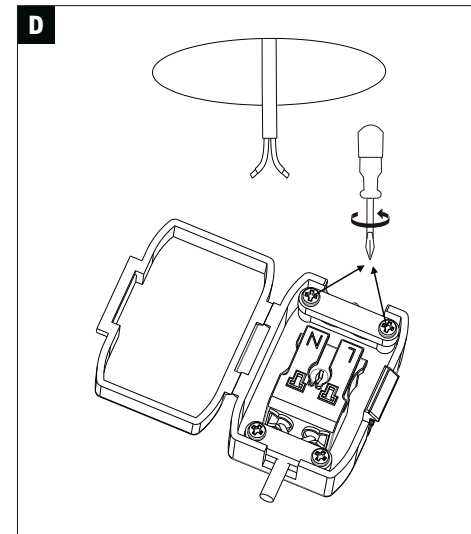
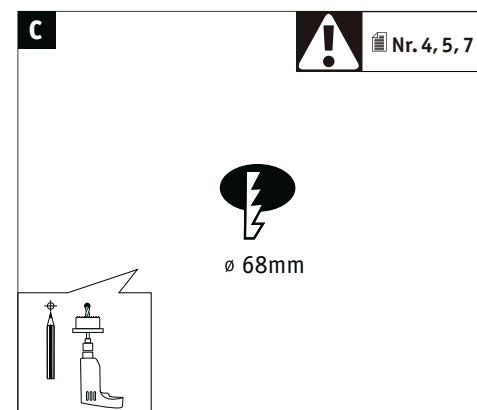
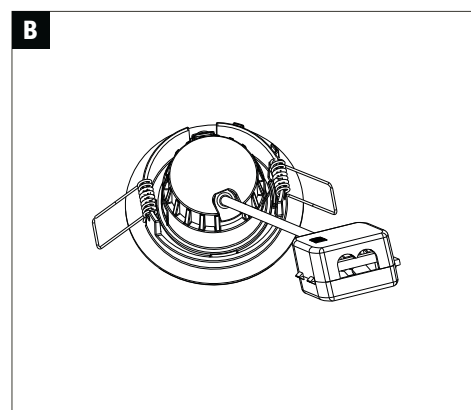
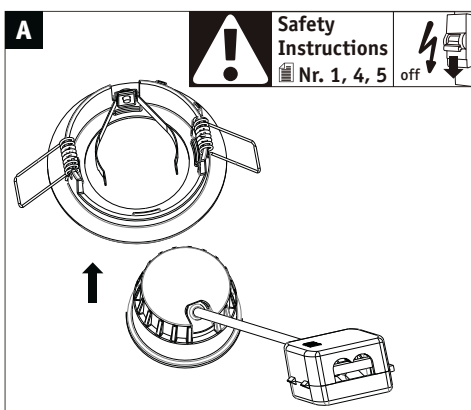
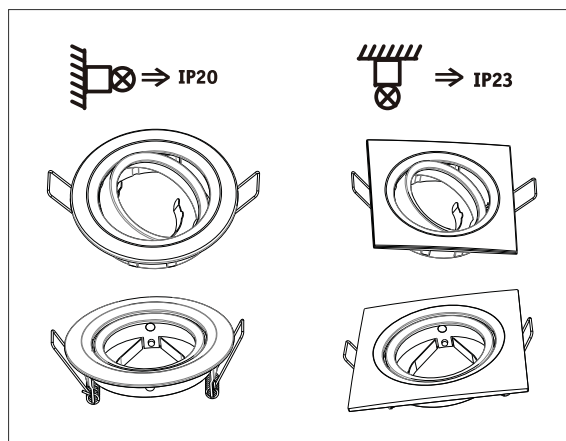
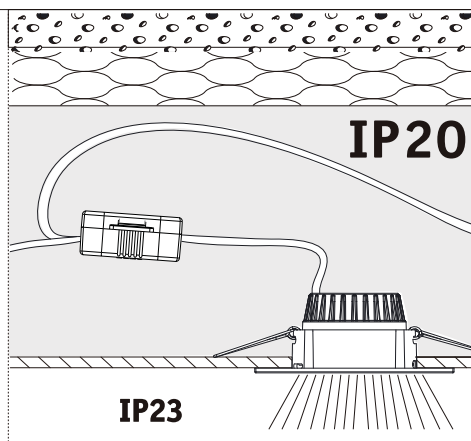
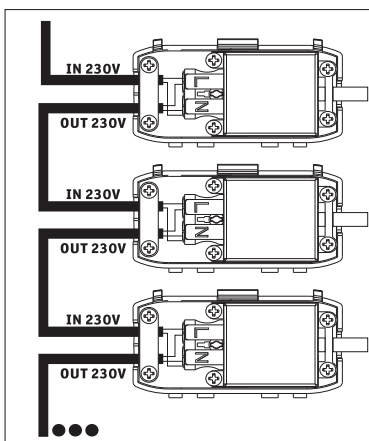
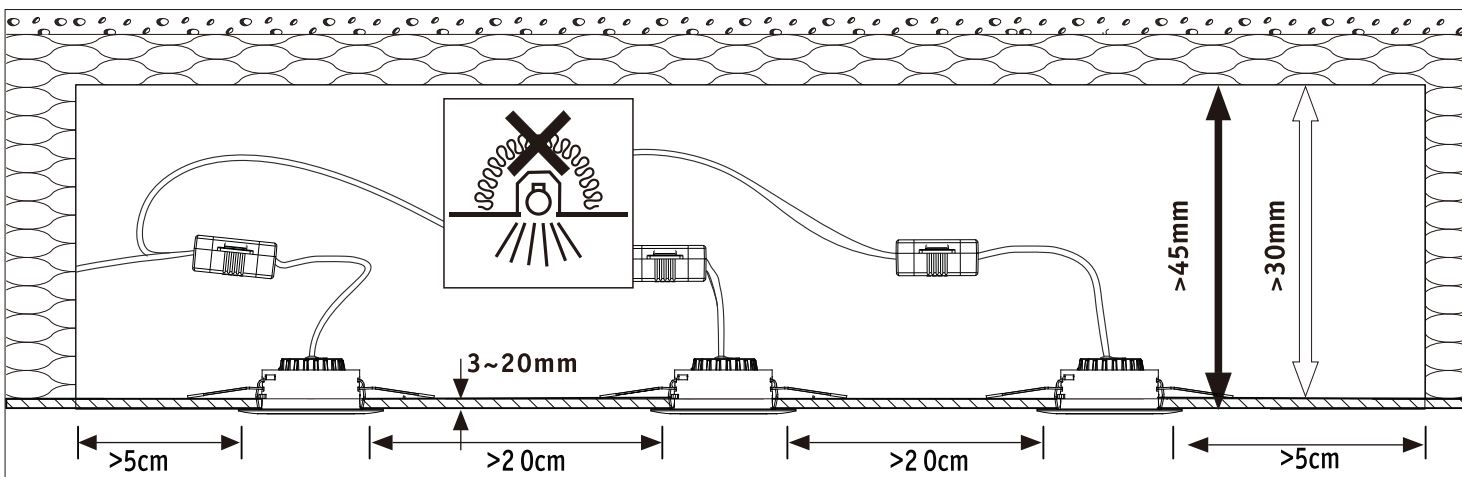
Incl.

936.90



1x

Incl.



**ENERG+**  
Paulmann

**470 lm**  
**6W**  
**230 V**

warm white  
2700K

CRI/Ra ≥ 85

ON OFF >50.000

Lumen 60% 2 s

dimming

≈30x  
1.000h

6 kWh/1000h

5102/1610C

CE UK CA

390093070

