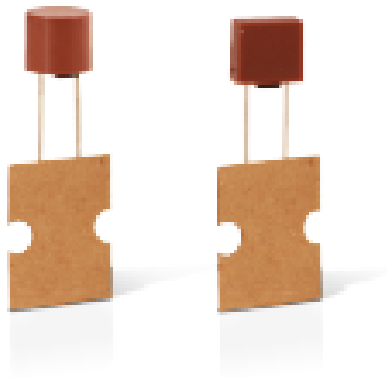


KLEINSTSICHERUNGEN

SUBMINIATURE FUSES



Ø 2,65 x 7,10 mm

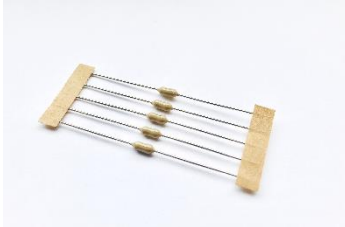
FF - super flink
super quick acting



Spannung
Voltage **32 V - 125 V**

Strom
Current **500 mA - 15 A**

Ausschaltvermögen
Breaking capacity **50 A / 300 A**



Norm / Standard:

IEC 60127-3-2

Aufbau / Construction:

Eingekapselter, epoxidbeschichteter Körper /
Encapsulated, epoxy-coated body

Kontaktanschlüsse / Contact pins

Lotbeschichtete Kupfer-Anschlussdrähte /
Solder-coated Copper wire leads
0,375 mA - 10 A: Ø0,65 mm
12 A - 15 A: Ø0,80 mm

Betriebstemperatur / Operating temperature:

-55°C bis / to +125°C
(De-rating beachten / Consider De-Rating)

Verpackungsmöglichkeit / Packing option:

1.000 St. = lose geschüttet in Polybeutel /
1.000 pcs. = bulk in plastic bag

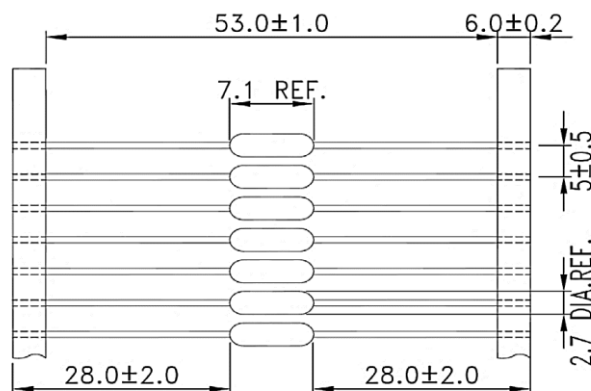
Bemessungswerte / Ratings:

| Art. No. | I _N | U _N [V] | R _c [Ω] | I _{BC} [A] | I ² t [A ² s] |
|----------|----------------|-----------------------|-----------------------|------------------------|--|
| 823.614 | 500 mA | 125 | 0,2782 | | 0,0752 |
| 823.616 | 750 mA | 125 | 0,1452 | | 0,1867 |
| 823.617 | 1 A | 125 | 0,0745 | 50 A | 0,2420 |
| 823.618 | 1,25 A | 125 | 0,0716 | @ | 0,2603 |
| 823.619 | 1,5 A | 125 | 0,0544 | 125 V AC | 0,4820 |
| 823.620 | 2 A | 125 | 0,0361 | | 0,5414 |
| 823.621 | 2,5 A | 125 | 0,0257 | | 1,2183 |
| 823.622 | 3 A | 125 | 0,0240 | | 1,3511 |
| 823.665 | 3,5 A | 125 | 0,0218 | 300 A | 2,3887 |
| 823.623 | 4 A | 125 | 0,0170 | @ | 2,8269 |
| 823.624 | 5 A | 125 | 0,0144 | 125 V DC | 6,3630 |
| 823.625 | 6,3 A | 125 | 0,0097 | | 8,8884 |
| 823.626 | 7 A | 125 | 0,0090 | | 10,071 |
| 823.627 | 10 A | 125 | 0,0055 | | 30,384 |
| 823.628 | 12 A | 32 | 0,0052 | AC: 50 A | 36,936 |
| 823.629 | 15 A | 32 | 0,0031 | DC: 300 A | 77,625 |

I_N - t Verhalten / I_N - t characteristics:

| Bemessungsstrom-Faktor / Rated current factor | Schmelzzeit / Melting time: | | | | |
|--|--------------------------------|--------------|------|--------------|------|
| | 500 mA 5 A | 6,3 A 7 A | 10 A | 12 A 15 A | |
| 1 · I _N | t _{min} | 4 h | 4 h | 4 h | 4 h |
| | t _{max} | - | - | - | - |
| 2 · I _N | t _{min} | 0 | 0 | 0 | 0 |
| | t _{max} | 1 s | 1 s | 3 s | 10 s |
| 2,75 · I _N | t _{min} | 0 | - | - | - |
| | t _{max} | 300 ms | - | - | - |
| 4 · I _N | t _{min} | 0 | - | - | - |
| | t _{max} | 30 ms | - | - | - |
| 10 · I _N | t _{min} | 0 | - | - | - |
| | t _{max} | 4 ms | - | - | - |

cURus: 500 mA - 15 A
TÜV: 500 mA - 5 A
CCC: 500 mA - 5 A
PSE: 1 A - 5 A



Strom-Zeit-Kennlinie / I-T-Characteristic:

Ø 2,65 x 7,10 mm

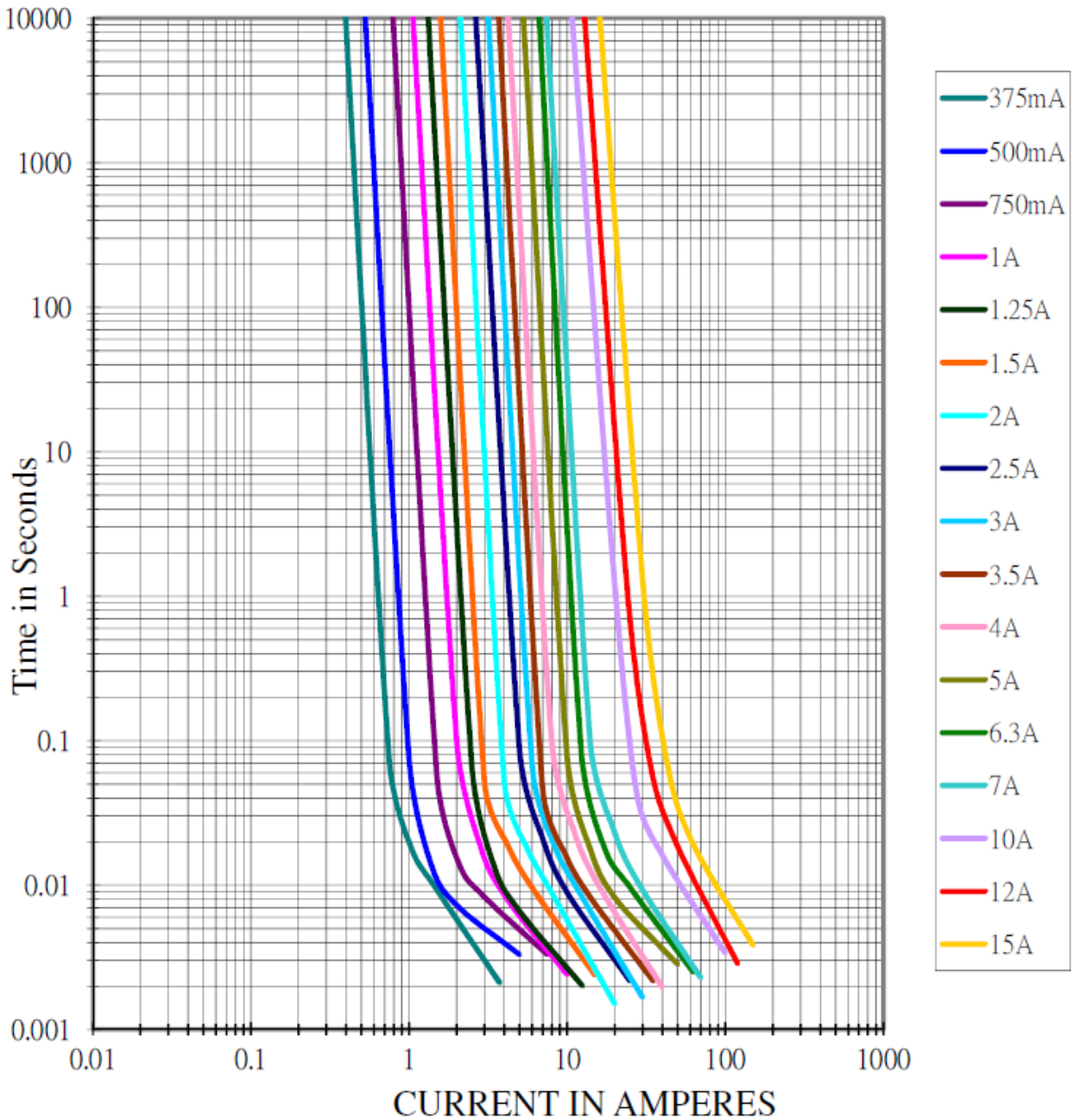
FF - super flink
super quick acting



Spannung 32 V - 125 V
Voltage

Strom 500 mA - 15 A
Current

Ausschaltvermögen 50 A / 300 A
Breaking capacity



8.5 x 8.5 x 4 mm

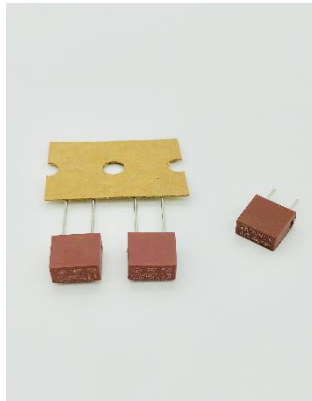
T - träge
time-lag



Spannung
Voltage **250 V**

Strom
Current **80 mA - 6,3 A**

Ausschaltvermögen
Breaking capacity **35 A - 63 A**



Norm gemäß / Standard according to:

IEC 60127-3-4

Aufbau / Construction:

Temperaturbeständiges Thermoplast /
Temperature resistant thermoplastic body
(UL-94-V0)

Anschluss / Connection:

Kupfer verzinkt / Tin-plated copper

Betriebstemperatur / Operating temperature:

-55°C bis / to 125°C
(De-rating beachten / consider De-rating)

Lötbarkeit / Solderability:

T = 250°C; t < 3s (Reflowlöten / reflow soldering)

Verpackungsmöglichkeit / Packing option:

Kurzer Anschlussdraht / Short leads (= 4,5 mm)
1.000 Stk. = Industrieverpackung /
1.000 pcs. = Industrial box

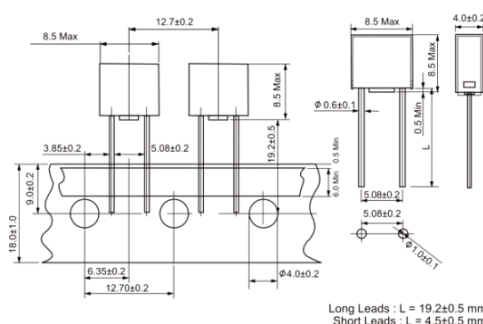
Langer Anschlussdraht / Long leads (= 19,2 mm)
1.000 Stk. = Ammopack /
1.000 pcs. = Ammopack
(Beispiel / example: 883.007G)

**EOL – Restbestände auf
Anfrage erhältlich
/
EOL – remaining stocks
available on request**

Bemessungswerte / Ratings:

| Art. No. | I _N | U _N [V] | U _{d,max} [mV] | P _{d,max} [W] | I _{BC} [A] | I ² t [A ² s] |
|----------|----------------|-----------------------|----------------------------|---------------------------|------------------------|--|
| 883.006 | 80 mA | 250 | 115 | 0,44 | 35 | 0,01 |
| 883.007 | 100 mA | 250 | 350 | 0,17 | 35 | 0,08 |
| 883.008 | 125 mA | 250 | 300 | 0,18 | 35 | 0,11 |
| 883.009 | 160 mA | 250 | 280 | 0,19 | 35 | 0,17 |
| 883.010 | 200 mA | 250 | 260 | 0,20 | 35 | 0,30 |
| 883.011 | 250 mA | 250 | 240 | 0,22 | 35 | 0,71 |
| 883.012 | 315 mA | 250 | 220 | 0,25 | 35 | 1,00 |
| 883.013 | 400 mA | 250 | 200 | 0,28 | 35 | 1,50 |
| 883.014 | 500 mA | 250 | 190 | 0,31 | 35 | 2,90 |
| 883.015 | 630 mA | 250 | 180 | 0,35 | 35 | 4,30 |
| 883.016 | 800 mA | 250 | 160 | 0,43 | 35 | 6,50 |
| 883.017 | 1,00 A | 250 | 140 | 0,50 | 35 | 11,0 |
| 883.018 | 1,25 A | 250 | 130 | 0,60 | 35 | 15,0 |
| 883.019 | 1,60 A | 250 | 120 | 0,73 | 35 | 26,0 |
| 883.020 | 2,00 A | 250 | 100 | 0,87 | 35 | 37,0 |
| 883.021 | 2,50 A | 250 | 100 | 1,00 | 35 | 61,0 |
| 883.022 | 3,15 A | 250 | 100 | 1,20 | 35 | 98,0 |
| 883.023 | 4,00 A | 250 | 100 | 1,40 | 40 | 136 |
| 883.024 | 5,00 A | 250 | 100 | 1,50 | 50 | 212 |
| 883.025 | 6,30 A | 250 | 100 | 1,65 | 63 | 321 |

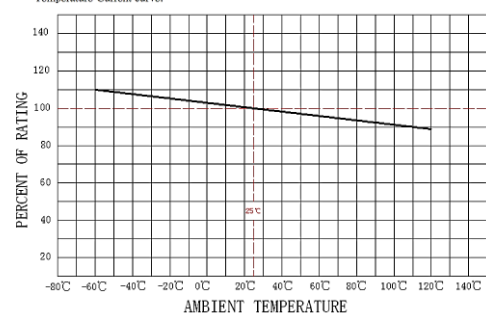
Unit: mm



I_N - t Verhalten / I_N - t characteristics:

| Bemessungsstrom-Faktor / Rated current factor | Schmelzzeit / Melting time: |
|---|---|
| | 80 mA - 6,3 A |
| 1,5 · I _N | t _{min} 60 min t _{max} - |
| 2,1 · I _N | t _{min} 0 t _{max} 2 min |
| 2,75 · I _N | t _{min} 400 ms t _{max} 10 s |
| 4 · I _N | t _{min} 150 ms t _{max} 3 s |
| 10 · I _N | t _{min} 20 ms t _{max} 150 ms |

Temperature-Current curves:



8.5 x 8.5 x 4 mm

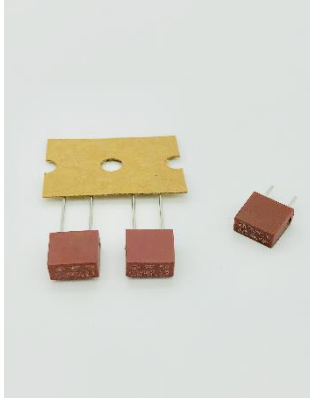
T - träge
time-lag



Spannung
Voltage **250 V**

Strom
Current **100 mA - 10 A**

Ausschaltvermögen
Breaking capacity **130 A**



Norm gemäß / Standard according to:

IEC 60127-3-4

Aufbau / Construction:

Temperaturbeständiges Thermoplast /
Temperature resistant thermoplastic body
(UL-94-V0)

Anschluss / Connection:

Kupfer verzinkt / Tin-plated copper

Betriebstemperatur / Operating temperature:

-55°C bis / to 125°C
(De-rating beachten / consider De-rating)

Lötbarkeit / Solderability:

T = 250°C; t < 3s (Reflowlöten / reflow soldering)

Verpackungsmöglichkeit / Packing option:

Kurzer Anschlussdraht / Short leads (= 4,5 mm)
1.000 Stk. = Industrieverpackung /
1.000 pcs. = Industrial box

Langer Anschlussdraht / Long leads (= 19,2 mm)
1.000 Stk. = Ammopack /
1.000 pcs. = Ammopack
(Beispiel / example: 883.107G)

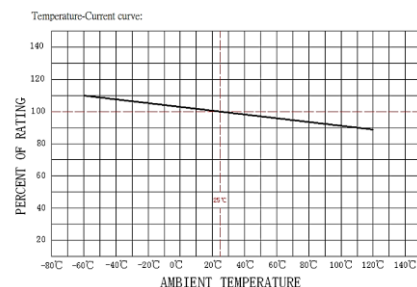
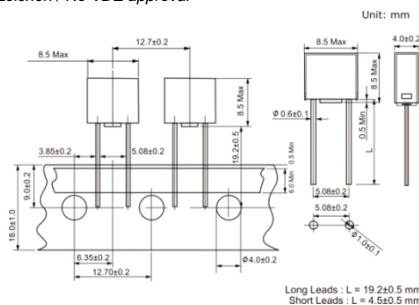
Bemessungswerte / Ratings:

| Art. No. | I _N | U _N [V] | U _{d,max} [mV] | P _{d,max} [W] | I _{BC} [A] | I ² t [A ² s] |
|-----------------------|----------------|-----------------------|----------------------------|---------------------------|------------------------|--|
| 883.107 | 100 mA | 250 | 350 | 0,17 | 130 | 0,08 |
| 883.108 | 125 mA | 250 | 300 | 0,18 | 130 | 0,11 |
| 883.109 | 160 mA | 250 | 280 | 0,19 | 130 | 0,17 |
| 883.110 | 200 mA | 250 | 260 | 0,20 | 130 | 0,30 |
| 883.111 | 250 mA | 250 | 240 | 0,22 | 130 | 0,71 |
| 883.112 | 315 mA | 250 | 220 | 0,25 | 130 | 1,00 |
| 883.113 | 400 mA | 250 | 200 | 0,28 | 130 | 130 |
| 883.114 | 500 mA | 250 | 190 | 0,31 | 130 | 130 |
| 883.115 | 630 mA | 250 | 180 | 0,35 | 130 | 4,30 |
| 883.116 | 800 mA | 250 | 160 | 0,43 | 130 | 130 |
| 883.117 | 1,00 A | 250 | 140 | 0,50 | 130 | 11,0 |
| 883.118 | 1,25 A | 250 | 130 | 0,60 | 130 | 130 |
| 883.119 | 1,60 A | 250 | 120 | 0,73 | 130 | 130 |
| 883.120 | 2,00 A | 250 | 100 | 0,87 | 130 | 37,0 |
| 883.121 | 2,50 A | 250 | 100 | 1,00 | 130 | 61,0 |
| 883.122 | 3,15 A | 250 | 100 | 1,20 | 130 | 98,0 |
| 883.123 | 4,00 A | 250 | 100 | 1,40 | 130 | 136 |
| 883.124 | 5,00 A | 250 | 100 | 1,50 | 130 | 212 |
| 883.125 | 6,30 A | 250 | 100 | 1,65 | 130 | 321 |
| 883.126 ¹⁾ | 8,00 A | 250 | 80 | 1,80 | 130 | |
| 883.127 ¹⁾ | 10,0 A | 250 | 10 | 2,00 | 130 | |

¹⁾ kein VDE Prüfzeichen / No VDE approval

I_N - t Verhalten / I_N - t characteristics:

| Bemessungsstrom-Faktor / Rated current factor | Schmelzzeit / Melting time: |
|---|---|
| | 100 mA - 10 A |
| 1,5 · I _N | t _{min} 60 min t _{max} - |
| 2,1 · I _N | t _{min} 0 t _{max} 2 min |
| 2,75 · I _N | t _{min} 400 ms t _{max} 10 s |
| 4 · I _N | t _{min} 150 ms t _{max} 3 s |
| 10 · I _N | t _{min} 20 ms t _{max} 150 ms |



8,5 x 5 x 4 mm

T - träge
time-lag



Spannung
Voltage **250 V**

Strom
Current **250 mA - 6,3 A**

Ausschaltvermögen
Breaking capacity **100 A / 160 A**



Norm gemäß / *Standard according to:*

IEC 60127-3-4

Aufbau / *Construction:*

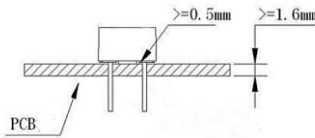
Temperaturbeständiges Thermoplast /
Temperature resistant thermoplastic body
(UL-94-V0)

Anschluss / *Connection:*

Rundstifte, Abstand 5,08mm
Round pins, distance 5,08mm
Oberfläche verzinkt, steckbar und lötfähig
Surface tin-plated, pluggable and solderable

Betriebstemperatur / *Operating temperature:*

-55°C bis / *to* 125°C
(De-rating beachten / *consider De-rating*)



Lötbarkeit / *Solderability:*

T = 260°C; t < 10s (Wellenlöten / *wave soldering*)
T = 350°C; t 3 2s (Lötcolben / *soldering iron*)

Verpackungsmöglichkeit / *Packing option:*

1.000 Stk. = Ammopack (gegurtert) /
1.000 pcs. = Ammopack (taped & reeled)

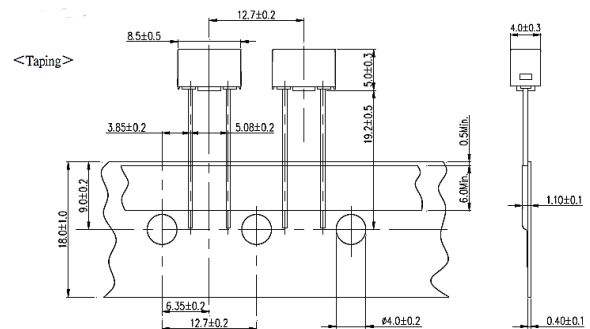
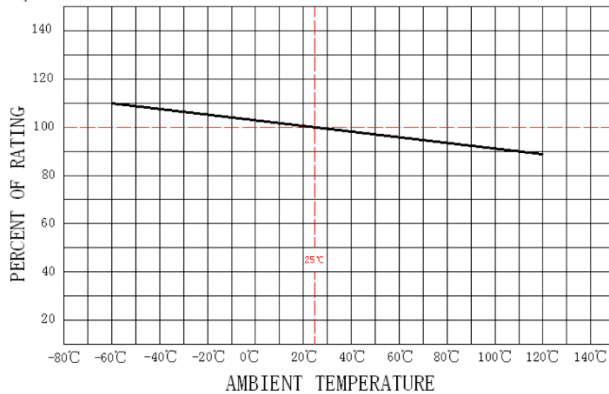
Bemessungswerte / Ratings:

| Art. No. | I _N | U _N [V] | U _{d_max} [mV] | P _{d_max} [W] | I _{BC} (VDE / cuRus) [A] | I ² t [A ² s] |
|----------|----------------|--------------------|-------------------------|------------------------|-----------------------------------|-------------------------------------|
| 883.211G | 250 mA | 250 | | | 100 / 160 | 0,71 |
| 883.212G | 315 mA | 250 | | | 100 / 160 | 1,00 |
| 883.213G | 400 mA | 250 | | | 100 / 160 | 1,50 |
| 883.214G | 500 mA | 250 | | | 100 / 160 | 2,90 |
| 883.215G | 630 mA | 250 | | | 100 / 160 | 4,30 |
| 883.216G | 800 mA | 250 | | | 100 / 160 | 6,50 |
| 883.217G | 1 A | 250 | | Auf | 100 / 160 | 11,0 |
| 883.218G | 1,25 A | 250 | | Anfrage | 100 / 160 | 15,0 |
| 883.219G | 1,6 A | 250 | | | 100 / 160 | 26,0 |
| 883.220G | 2 A | 250 | | / | 100 / 160 | 37,0 |
| 883.221G | 2,5 A | 250 | | | 100 / 160 | 61,0 |
| 883.222G | 3,15 A | 250 | | On | 100 / 160 | 98,0 |
| 883.223G | 4 A | 250 | | request | 100 / 160 | 136 |
| 883.224G | 5 A | 250 | | | 100 / 160 | 212 |
| 883.225G | 6,3 A | 250 | | | 100 / 160 | 321 |

I_N - t Verhalten / I_N - t characteristics:

| Bemessungsstrom-Faktor / <i>Rated current factor</i> | Schmelzeit / <i>Melting time:</i> |
|--|---|
| | 250 mA |
| | 6,3 A |
| 1,5 · I _N | t _{min} 60 min t _{max} - |
| 2,1 · I _N | t _{min} 0 t _{max} 2 min |
| 2,75 · I _N | t _{min} 400 ms t _{max} 10 s |
| 4 · I _N | t _{min} 150 ms t _{max} 3 s |
| 10 · I _N | t _{min} 20 ms t _{max} 150 ms |

Temperature-Current curve:



8,5 x 5 x 4 mm

T - träge
time-lag



Spannung
Voltage **300 V**

Strom
Current **250 mA - 6,3 A**

Ausschaltvermögen
Breaking capacity **100 A / 130 A**



Norm gemäß / *Standard according to:*

IEC 60127-3-4

Aufbau / *Construction:*

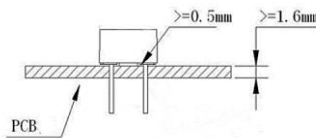
Temperaturbeständiges Thermoplast /
Temperature resistant thermoplastic body
(UL-94-V0)

Anschluss / *Connection:*

Rundstifte, Abstand 5,08mm
Round pins, distance 5,08mm
Oberfläche verzinkt, steckbar und lötfar /
Surface tin-plated, pluggable and solderable

Betriebstemperatur / *Operating temperature:*

-55°C bis / *to* 125°C
(De-rating beachten / *consider De-rating*)



Lötbarkeit / *Solderability:*

T = 260°C; t < 10s (Wellenlöten / *wave soldering*)
T = 350°C; t 3 2s (Lötcolben / *soldering iron*)

Verpackungsmöglichkeit / *Packing option:*

1.000 Stk. = Ammopack (gegurtet) /
1.000 pcs. = Ammopack (taped & reeled)

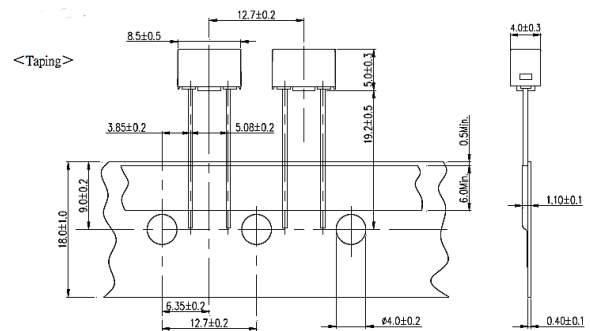
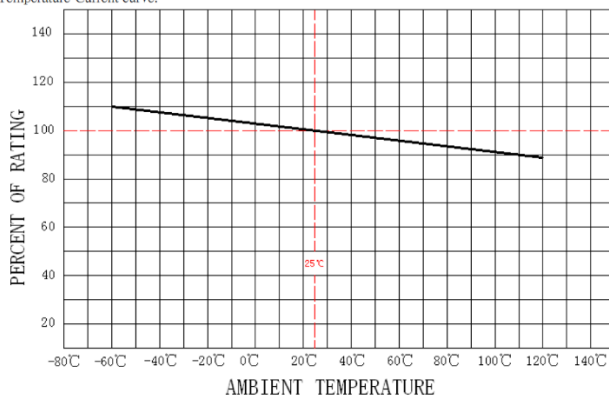
Bemessungswerte / Ratings:

| Art. No. | I _N | U _N [V] | U _{d_max} [mV] | P _{d_max} [W] | I _{BC} (VDE / cuRus) [A] | I ² t [A ² s] |
|----------|----------------|-----------------------|----------------------------|---------------------------|--------------------------------------|--|
| 883.311G | 250 mA | 300 | 240 | 0,220 | 100 / 130 | 0,71 |
| 883.312G | 315 mA | 300 | 220 | 0,250 | 100 / 130 | 1,00 |
| 883.313G | 400 mA | 300 | 200 | 0,280 | 100 / 130 | 1,50 |
| 883.314G | 500 mA | 300 | | | 100 / 130 | 2,90 |
| 883.315G | 630 mA | 300 | | | 100 / 130 | 4,30 |
| 883.316G | 800 mA | 300 | | | 100 / 130 | 6,50 |
| 883.317G | 1 A | 300 | Auf | | 100 / 130 | 11,0 |
| 883.318G | 1,25 A | 300 | Anfrage | | 100 / 130 | 15,0 |
| 883.319G | 1,6 A | 300 | | | 100 / 130 | 26,0 |
| 883.320G | 2 A | 300 | / | | 100 / 130 | 37,0 |
| 883.321G | 2,5 A | 300 | | | 100 / 130 | 61,0 |
| 883.322G | 3,15 A | 300 | On | | 100 / 130 | 98,0 |
| 883.323G | 4 A | 300 | request | | 100 / 130 | 136 |
| 883.324G | 5 A | 300 | | | 100 / 130 | 212 |
| 883.325G | 6,3 A | 300 | | | 100 / 130 | 321 |

I_N - t Verhalten / I_N - t characteristics:

| Bemessungsstrom-Faktor / <i>Rated current factor</i> | Schmelzzeit / <i>Melting time:</i> |
|--|---|
| | 250 mA |
| | 6,3 A |
| 1,5 · I _N | t _{min} 60 min t _{max} - |
| 2,1 · I _N | t _{min} 0 t _{max} 2 min |
| 2,75 · I _N | t _{min} 400 ms t _{max} 10 s |
| 4 · I _N | t _{min} 150 ms t _{max} 3 s |
| 10 · I _N | t _{min} 20 ms t _{max} 150 ms |

Temperature-Current curve:



8,5 x 5 x 4 mm

T - träge
time-lag



Spannung
Voltage **400 V**

Strom
Current **250 mA - 6,3 A**

Ausschaltvermögen
Breaking capacity **50 A**



Norm gemäß / *Standard according to:*

IEC 60127-3-4

Aufbau / *Construction:*

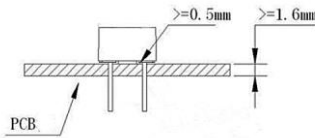
Temperaturbeständiges Thermoplast /
Temperature resistant thermoplastic body
(UL-94-V0)

Anschluss / *Connection:*

Rundstifte, Abstand 5,08mm
Round pins, distance 5,08mm
Oberfläche verzinkt, steckbar und lötfar /
Surface tin-plated, pluggable and solderable

Betriebstemperatur / *Operating temperature:*

-55°C bis / *to* 125°C
(De-rating beachten / *consider De-rating*)



Lötbarkeit / *Solderability:*

T = 260°C; t < 10s (Wellenlöten / *wave soldering*)
T = 350°C; t 3 2s (LötKolben / *soldering iron*)

Verpackungsmöglichkeit / *Packing option:*

1.000 Stk. = Ammpack (gegurtet) /
1.000 pcs. = Ammpack (taped & reeled)

Bemessungswerte / Ratings:

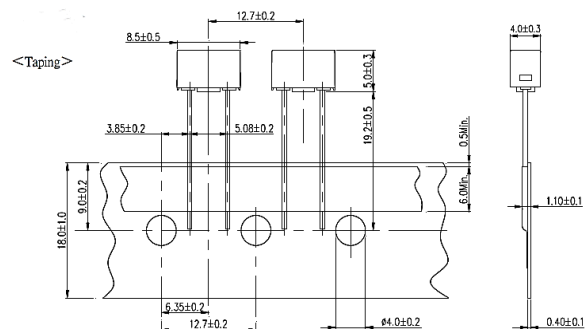
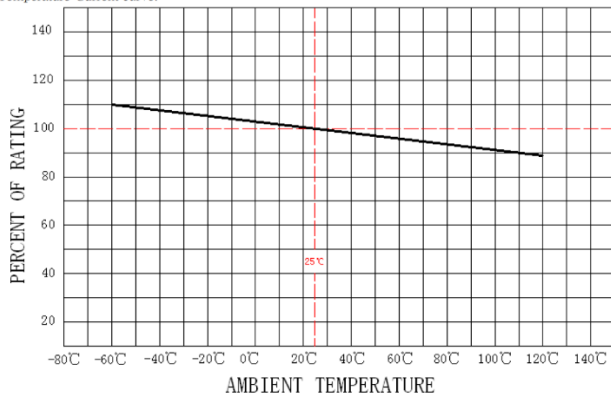
| Art. No. | I _N | U _N [V] | U _{d_max} [mV] | P _{d_max} [W] | I _{BC} [A] | I ² t [A ² s] |
|------------------------|----------------|-----------------------|----------------------------|---------------------------|------------------------|--|
| 883.411G | 250 mA | 400 | | | 50 | 0,71 |
| 883.412G | 315 mA | 400 | | | 50 | 1,00 |
| 883.413G | 400 mA | 400 | | | 50 | 1,50 |
| 883.414G | 500 mA | 400 | | | 50 | 2,90 |
| 883.415G | 630 mA | 400 | | | 50 | 4,30 |
| 883.416G | 800 mA | 400 | | | 50 | 6,50 |
| 883.417G | 1 A | 400 | Auf | | 50 | 11,0 |
| 883.418G | 1,25 A | 400 | Anfrage | | 50 | 15,0 |
| 883.419G | 1,6 A | 400 | | | 50 | 26,0 |
| 883.420G | 2 A | 400 | / | | 50 | 37,0 |
| 883.421G | 2,5 A | 400 | | | 50 | 61,0 |
| 883.422G | 3,15 A | 400 | On | | 50 | 98,0 |
| 883.423G | 4 A | 400 | request | | 50 | 136 |
| 883.424G | 5 A | 400 | | | 50 | 212 |
| 883.425G ¹⁾ | 6,3 A | 400 | | | 50 | 321 |

¹⁾ Kein VDE-Prüfzeichen / *No VDE-Approval*

I_N - t Verhalten / I_N - t characteristics:

| Bemessungsstrom-Faktor / <i>Rated current factor</i> | Schmelzzeit / <i>Melting time:</i> |
|--|---|
| | 250 mA |
| | 6,3 A |
| 1,5 · I _N | t _{min} 60 min t _{max} - |
| 2,1 · I _N | t _{min} 0 t _{max} 2 min |
| 2,75 · I _N | t _{min} 400 ms t _{max} 10 s |
| 4 · I _N | t _{min} 150 ms t _{max} 3 s |
| 10 · I _N | t _{min} 20 ms t _{max} 150 ms |

Temperature-Current curve:



8,35 x 7,8 x 4 mm

T - träge
time-lag



Spannung
Voltage **63 V - 277 V**

Strom
Current **1 A - 6,3 A**

Ausschaltvermögen
Breaking capacity **10 A - 100 A**



Norm gemäß / Standard according to:

IEC 60127-3-4

Aufbau / Construction:

Temperaturbeständiges Thermoplast /
Temperature resistant thermoplastic body
(UL-94-V0)

Anschluss / Connection:

Rundstifte, Abstand 5,08mm
Oberfläche verzinkt, steckbar und lötfar /
Round pins, distance 5,08mm
Surface tin-plated, pluggable and solderable

Betriebstemperatur / Operating temperature:

-55°C bis / to 125°C
(De-rating beachten / consider De-rating)

Lötbarkeit / Solderability:

Wellenlöten / wave soldering
(MIL-STD-202G, Method 208H)

Verpackungsmöglichkeit / Packing option:

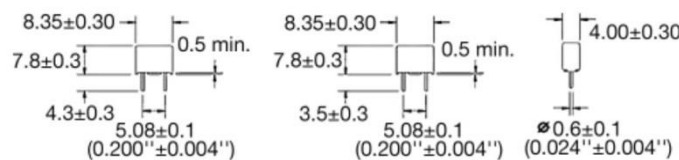
1.000 Stk. = Ammopack (gegurtet) /
1.000 pcs. = Ammopack (taped & reeled)

Bemessungswerte / Ratings:

| Art. No. | I_N | U_N (VDE / cRUS) [V] | $U_{d,max}$ [mV] | $P_{d,max}$ [W] | I_{BC} (VDE / cRUS) [A] | I^2t [A ² s] |
|----------|--------|---------------------------|---------------------|--------------------|------------------------------|------------------------------|
| 883.517G | 1 A | AC:250 / 277 DC:63 | 115 | 0,44 | 100 10 / 65 | 9,2 |
| 883.518G | 1,25 A | AC:250 / 277 DC:63 | 110 | 0,56 | 100 12,5 / 65 | 12 |
| 883.519G | 1,6 A | AC:250 / 277 DC:63 | 100 | 0,60 | 100 16 / 65 | 18 |
| 883.520G | 2 A | AC:250 / 277 DC:63 | 90 | 0,63 | 100 20 / 65 | 30 |
| 883.521G | 2,5 A | AC:250 / 277 DC:63 | 87 | 0,70 | 100 25 / 100 | 51 |
| 883.522G | 3,15 A | AC:250 / 277 DC:63 | 83 | 0,88 | 100 31,5 / 100 | 75 |
| 883.523G | 4 A | AC:250 / 277 DC:63 | 80 | 0,92 | 100 40 / 100 | 118 |
| 883.524G | 5 A | AC:250 / 277 DC:63 | 75 | 0,70 | 100 50 / 100 | 117 |
| 883.525G | 6,3 A | AC:250 / 277 DC:63 | 75 | 0,98 | 100 63 / 100 | 115 |

I_N - t Verhalten / I_N - t characteristics:

| Bemessungsstrom-Faktor / Rated current factor | Schmelzzeit / Melting time: |
|--|-------------------------------------|
| | 1 A - 6,3 A |
| $1,5 \cdot I_N$ | t_{min} 60 min t_{max} - |
| $2,1 \cdot I_N$ | t_{min} 0 t_{max} 2 min |
| $2,75 \cdot I_N$ | t_{min} 400 ms t_{max} 10 s |
| $4 \cdot I_N$ | t_{min} 150 ms t_{max} 3 s |
| $10 \cdot I_N$ | t_{min} 20 ms t_{max} 150 ms |



SMD-Kleinstsicherungen 884.200

SMD-Subminiature fuses AC



11,2 x 8,5 x 5,2 mm T - träge
time-lag



| | | | | | |
|----------------------------|--------------|-------------------------|--------------------|---|--------------------------|
| Spannung Voltage | 250 V | Strom Current | 1 A - 6,3 A | Ausschaltvermögen Breaking capacity | 100 A / 160 A |
|----------------------------|--------------|-------------------------|--------------------|---|--------------------------|



Norm gemäß / Standard according to: IEC 60127-3-4

Aufbau / Construction: Temperaturbeständiges Thermoplast / Temperature resistant thermoplastic body (UL-94-V0)

Anschluss / Connection: Kupfer verzinkt / Tin-plated copper

Betriebstemperatur / Operating temperature: -55°C bis / to 125°C (De-rating beachten / consider De-rating)

Lötbarkeit / Solderability: T = 250°C; t < 3s (Reflowlöten / reflow soldering)

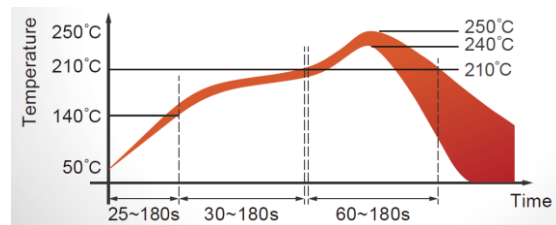
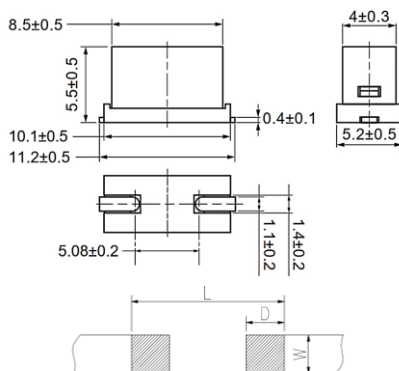
Verpackungsmöglichkeit / Packing option: 1.000 Stk. = Industrieverpackung / 1.000 pcs. = Industrial box
1.000 Stk. = Ammopack (gegurtet) / 1.000 pcs. = Ammopack (taped & reeled) (Beispiel / example: 884.207G)

Bemessungswerte / Ratings:

| Art. No. | I _N | U _N [V] | U _{d_max} [mV] | P _{d_max} [W] | I _{BC} (VDE / cuRus) [A] | I ² t [A ² s] |
|----------|----------------|--------------------|-------------------------|------------------------|-----------------------------------|-------------------------------------|
| 884.217 | 1 A | 250 | | | 100 / 160 | 11 |
| 884.218 | 1,25 A | 250 | Auf | | 100 / 160 | |
| 884.219 | 1,6 A | 250 | Anfrage | | 100 / 160 | |
| 884.220 | 2 A | 250 | | | 100 / 160 | 37 |
| 884.221 | 2,5 A | 250 | / | | 100 / 160 | |
| 884.222 | 3,15 A | 250 | | | 100 / 160 | 98 |
| 884.223 | 4 A | 250 | On | | 100 / 160 | |
| 884.224 | 5 A | 250 | request | | 100 / 160 | |
| 884.225 | 6,3 A | 250 | | | 100 / 160 | 321 |

I_N - t Verhalten / I_N - t characteristics:

| Bemessungsstrom-Faktor / Rated current factor | Schmelzzeit / Melting time: |
|---|---|
| | 1 A - 6,3 A |
| 1,5 · I _N | t _{min} 60 min t _{max} - |
| 2,1 · I _N | t _{min} 0 t _{max} 2 min |
| 2,75 · I _N | t _{min} 400 ms t _{max} 10 s |
| 4 · I _N | t _{min} 150 ms t _{max} 3 s |
| 10 · I _N | t _{min} 20 ms t _{max} 150 ms |



Recommended Pad Size:

| L | W | D | T |
|-------|----------|--------|---------|
| 12 mm | ≥ 1.5 mm | 3.0 mm | ≥ 35 μm |

SMD-Kleinstsicherungen 884.300

SMD-Subminiature fuses AC



11,2 x 8,5 x 5,2 mm T - träge
time-lag



| | | | | | |
|----------------------------|--------------|-------------------------|--------------------|---|----------------------|
| Spannung Voltage | 300 V | Strom Current | 1 A - 6,3 A | Ausschaltvermögen Breaking capacity | 100 A / 130 A |
|----------------------------|--------------|-------------------------|--------------------|---|----------------------|



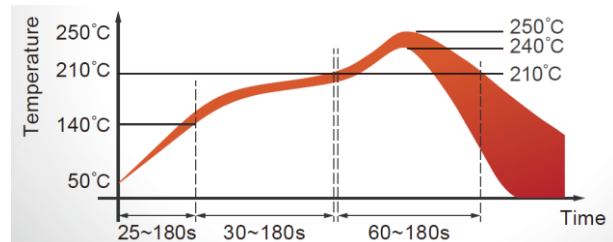
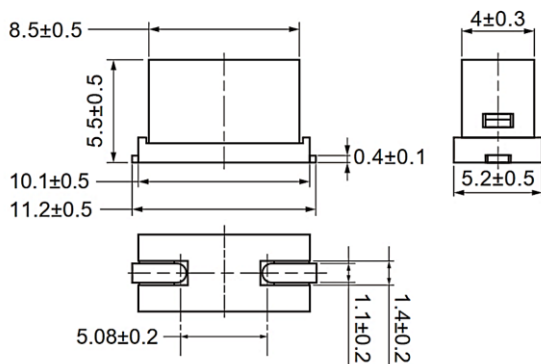
| | |
|---|---|
| Norm gemäß / Standard according to: | IEC 60127-3-4 |
| Aufbau / Construction: | Temperaturbeständiges Thermoplast / Temperature resistant thermoplastic body (UL-94-V0) |
| Anschluss / Connection: | Kupfer verzinkt/ Tin-plated copper |
| Betriebstemperatur / Operating temperature: | -55°C bis / to 125°C (De-rating beachten / consider De-rating) |
| Lötbarkeit / Solderability: | T = 250°C; t < 3s (Reflowlöten / reflow soldering) |
| Verpackungsmöglichkeit / Packing option: | 1.000 Stk. = Industrieverpackung / 1.000 pcs. = Industrial box 1.000 Stk. = Ammopack (gegurtet) / 1.000 pcs. = Ammopack (taped & reeled) (Beispiel / example: 884.307G) |

Bemessungswerte / Ratings:

| Art. No. | I _N | U _N [V] | U _{d_max} [mV] | P _{d_max} [W] | I _{BC} (VDE / cuRus) [A] | I ² t [A ² s] |
|----------|----------------|--------------------|-------------------------|------------------------|-----------------------------------|-------------------------------------|
| 884.317 | 1 A | 300 | | | 100 / 130 | |
| 884.318 | 1,25 A | 300 | Auf | | 100 / 130 | Auf |
| 884.319 | 1,6 A | 300 | Anfrage | | 100 / 130 | Anfrage |
| 884.320 | 2 A | 300 | | | 100 / 130 | |
| 884.321 | 2,5 A | 300 | / | | 100 / 130 | / |
| 884.322 | 3,15 A | 300 | | | 100 / 130 | |
| 884.323 | 4 A | 300 | On | | 100 / 130 | On |
| 884.324 | 5 A | 300 | request | | 100 / 130 | request |
| 884.325 | 6,3 A | 300 | | | 100 / 130 | |

I_N - t Verhalten / I_N - t characteristics:

| Bemessungsstrom-Faktor / Rated current factor | Schmelzzeit / Melting time: |
|---|---|
| | 1 A - 6,3 A |
| 1,5 · I _N | t _{min} 60 min t _{max} - |
| 2,1 · I _N | t _{min} 0 t _{max} 2 min |
| 2,75 · I _N | t _{min} 400 ms t _{max} 10 s |
| 4 · I _N | t _{min} 150 ms t _{max} 3 s |
| 10 · I _N | t _{min} 20 ms t _{max} 150 ms |



SMD-Kleinstsicherungen 884.400

SMD-Subminiature fuses AC



11,2 x 8,5 x 5,2 mm T - träge
time-lag



Spannung 400 V
Voltage

Strom 1 A - 6,3 A
Current

Ausschaltvermögen 50 A
Breaking capacity



Norm gemäß / *Standard according to:*

IEC 60127-3-4

Aufbau / *Construction:*

Temperaturbeständiges Thermoplast /
Temperature resistant thermoplastic body
(UL-94-V0)

Anschluss / *Connection:*

Kupfer verzinkt / *Tin-plated copper*

Betriebstemperatur / *Operating temperature:*

-55°C bis / *to* 125°C
(De-rating beachten / *consider De-rating*)

Lötbarkeit / *Solderability:*

T = 250°C; t < 3s (Reflowlöten / *reflow soldering*)

Verpackungsmöglichkeit / *Packing option:*

1.000 Stk. = Industrieverpackung /
1.000 pcs. = Industrial box

1.000 Stk. = Ammopack (gegurtert) /
1.000 pcs. = Ammopack (taped & reeled)
(Beispiel / *example:* 884.407G)

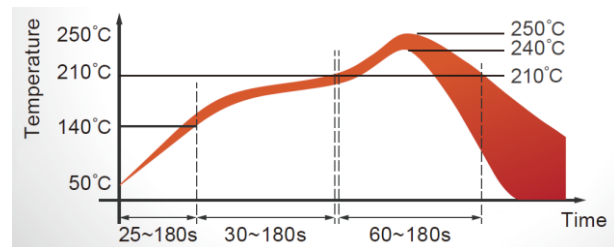
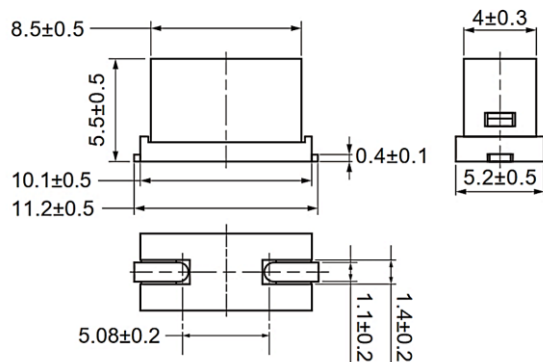
Bemessungswerte / Ratings:

| Art. No. | I _N | U _N [V] | U _{d_max} [mV] | P _{d_max} [W] | I _{BC} (VDE / cuRus) [A] | I ² t [A ² s] |
|-----------------------|----------------|--------------------|-------------------------|------------------------|-----------------------------------|-------------------------------------|
| 884.417 | 1 A | 400 | | | 50 | |
| 884.418 | 1,25 A | 400 | Auf | | 50 | Auf |
| 884.419 | 1,6 A | 400 | Anfrage | | 50 | Anfrage |
| 884.420 | 2 A | 400 | | | 50 | |
| 884.421 | 2,5 A | 400 | / | | 50 | / |
| 884.422 | 3,15 A | 400 | | | 50 | |
| 884.423 | 4 A | 400 | On | | 50 | On |
| 884.424 | 5 A | 400 | request | | 50 | request |
| 884.425 ¹⁾ | 6,3 A | 400 | | | 50 | |

I_N - t Verhalten / I_N - t characteristics:

| Bemessungsstrom-Faktor / <i>Rated current factor</i> | Schmelzzeit / <i>Melting time:</i> |
|--|---|
| | 1 A |
| | 6,3 A |
| 1,5 · I _N | t _{min} 60 min t _{max} - |
| 2,1 · I _N | t _{min} 0 t _{max} 2 min |
| 2,75 · I _N | t _{min} 400 ms t _{max} 10 s |
| 4 · I _N | t _{min} 150 ms t _{max} 3 s |
| 10 · I _N | t _{min} 20 ms t _{max} 150 ms |

¹⁾ Kein VDE-Prüfzeichen / *No VDE-Approval*



8.35 x 7.7 mm

F - flink
quick acting



Spannung
Voltage **250 V**

Strom
Current **50 mA - 6,3 A**

Ausschaltvermögen
Breaking capacity **35 A - 100 A**



Norm gemäß / *Standard according to:*

IEC 60127-3-3

Aufbau / *Construction:*

Temperaturbeständiges Thermoplast /
Temperature resistant thermoplastic body
(UL-94-V0)

Anschluss / *Connection:*

Kupfer verzinkt / *Tin-plated copper*

Betriebstemperatur / *Operating temperature:*

-55°C bis / *to* 125°C
(De-rating beachten / *consider De-rating*)

Lötbarkeit / *Solderability:*

T = 250°C; t < 3s (Reflowlöten / *reflow soldering*)

Verpackungsmöglichkeit / *Packing option*

Kurzer Anschlussdraht / *Short leads* (= 4,5 mm)
1.000 Stk. = Industrieverpackung /
1.000 pcs. = Industrial box

Langer Anschlussdraht / *Long leads* (= 19,2 mm)
1.000 Stk. = Ammopack /
1.000 pcs. = Ammopack
(Beispiel / *example: 885.007G*)

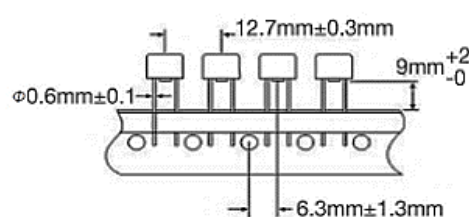
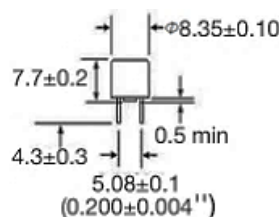
Bemessungswerte / Ratings:

| Art. No. | I _N | U _N [V] | U _{d_max} [mV] | P _{d_max} [W] | I _{BC} [A] | | | I ² t [A ² s] |
|-----------------------|----------------|-----------------------|----------------------------|---------------------------|------------------------|-----|------|--|
| | | | | | VDE / Semko | CSA | cRUs | |
| 885.004 | 50 mA | 250 | 730 | 0,09 | 35 | 50 | 100 | 0,001 |
| 885.005 | 63 mA | 250 | 660 | 0,10 | 35 | 50 | 100 | 0,001 |
| 885.006 | 80 mA | 250 | 640 | 0,11 | 35 | 50 | 100 | 0,002 |
| 885.007 | 100 mA | 250 | 490 | 0,11 | 35 | 50 | 100 | 0,003 |
| 885.008 | 125 mA | 250 | 500 | 0,13 | 35 | 50 | 100 | 0,007 |
| 885.009 | 160 mA | 250 | 460 | 0,21 | 35 | 50 | 100 | 0,016 |
| 885.010 | 200 mA | 250 | 410 | 0,19 | 35 | 50 | 100 | 0,027 |
| 885.011 | 250 mA | 250 | 170 | 0,23 | 35 | 50 | 100 | 0,023 |
| 885.012 | 315 mA | 250 | 150 | 0,22 | 35 | 50 | 100 | 0,044 |
| 885.013 | 400 mA | 250 | 140 | 0,28 | 35 | 50 | 100 | 0,072 |
| 885.014 | 500 mA | 250 | 150 | 0,42 | 35 | 50 | 100 | 0,18 |
| 885.015 | 630 mA | 250 | 80 | 0,16 | 35 | 50 | 100 | 0,14 |
| 885.016 | 800 mA | 250 | 80 | 0,20 | 35 | 50 | 100 | 0,40 |
| 885.017 | 1 A | 250 | 80 | 0,38 | 35 | 50 | 100 | 0,60 |
| 885.018 | 1,25 A | 250 | 81 | 0,69 | 35 | 50 | 100 | 1,20 |
| 885.019 | 1,6 A | 250 | 77 | 0,62 | 35 | 50 | 100 | 1,30 |
| 885.020 | 2 A | 250 | 75 | 0,72 | 35 | 50 | 100 | 2,00 |
| 885.021 | 2,5 A | 250 | 71 | 0,92 | 35 | 50 | 100 | 3,00 |
| 885.022 | 3,15 A | 250 | 64 | 0,82 | 35 | 50 | 100 | 4,00 |
| 885.023 | 4 A | 250 | 59 | 0,65 | 40 | 50 | 100 | 6,00 |
| 885.024 | 5 A | 250 | 56 | 0,91 | 50 | 50 | 100 | 11,8 |
| 885.025 ¹⁾ | 6,3 A | 250 | 54 | 1,05 | 63 | 50 | 100 | 19,8 |

²⁾ Kein Semko-Prüfzeichen / *No Semko-Approval*

I_N - t Verhalten / I_N - t characteristics:

| Bemessungsstrom-Faktor / <i>Rated current factor</i> | Schmelzzeit / <i>Melting time:</i> | |
|--|------------------------------------|------------------|
| | t _{min} | t _{max} |
| 1,5 · I _N | t _{min} | 60 min |
| | t _{max} | - |
| 2,1 · I _N | t _{min} | 0 |
| | t _{max} | 30 min |
| 2,75 · I _N | t _{min} | 10 ms |
| | t _{max} | 3 s |
| 4 · I _N | t _{min} | 3 ms |
| | t _{max} | 300 ms |
| 10 · I _N | t _{min} | 0 |
| | t _{max} | 20 ms |



8.35 x 7.7 mm

F - flink
quick acting

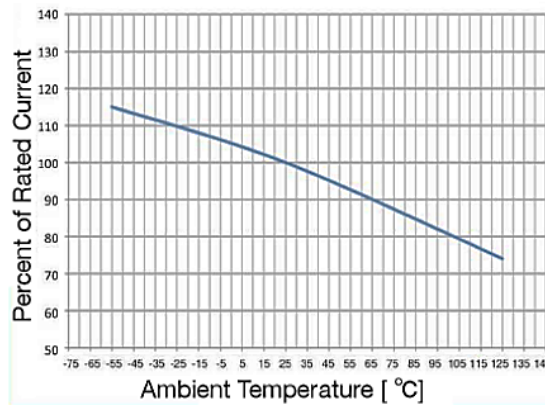


Spannung 250 V
Voltage

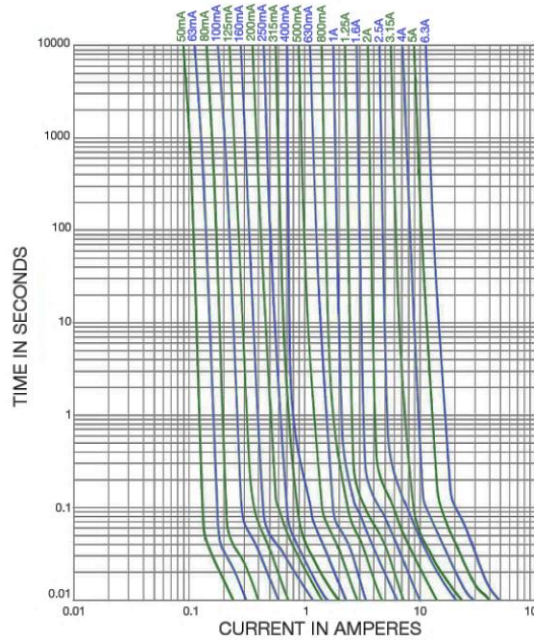
Strom 50 mA - 6,3 A
Current

Ausschaltvermögen 35 A - 100 A
Breaking capacity

Temperatur Derating Kurve / Temperature Derating Curve



Strom-Zeit Charakteristik Kurve / Current-Time Characteristic Curve



Ø 8,5 x 8,0 mm

T - träge
time-lag



Spannung
Voltage **250 V**

Strom
Current **50 mA - 6,3 A**

Ausschaltvermögen
Breaking capacity **35 A - 63 A**



Norm gemäß / Standard according to:

IEC 60127-3-4

Aufbau / Construction:

Temperaturbeständiges Thermoplast /
Temperature resistant thermoplastic body
(UL-94-V0)

Anschluss / Connection:

Kupfer verzinkt / Tin-plated copper

Betriebstemperatur / Operating temperature:

-55°C bis / to 125°C
(De-rating beachten / consider De-rating)

Lötbarkeit / Solderability:

T = 250°C; t < 3s (Reflowlöten / reflow soldering)

Verpackungsmöglichkeit / Packing option:

Kurzer Anschlussdraht / Short leads (= 4,5 mm)
1.000 Stk. = Industrieverpackung /
1.000 pcs. = Industrial box

Langer Anschlussdraht / Long leads (= 19,2 mm)
1.000 Stk. = Ammopack /
1.000 pcs. = Ammopack
(Beispiel / example: 887.007G)

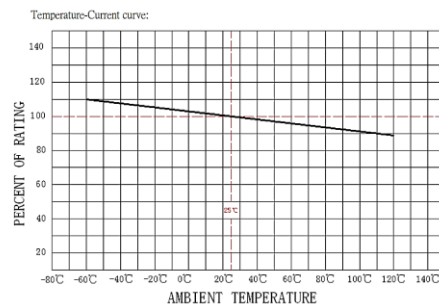
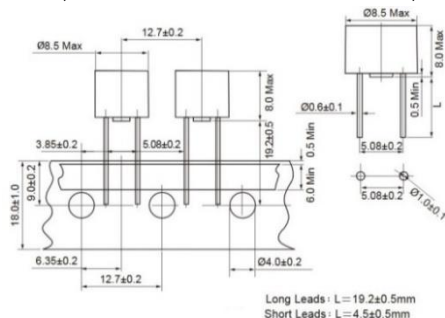
**EOL – Restbestände auf
Anfrage erhältlich
/
EOL – remaining stocks
available on request**

Bemessungswerte / Ratings:

| Art. No. | I _N | U _N [V] | U _{d_max} [mV] | P _{d_max} [W] | I _{BC} [A] | I ² t [A ² s] |
|----------|----------------|-----------------------|----------------------------|---------------------------|------------------------|--|
| 887.004 | 50 mA | 250 | 500 | 0,10 | 35 | 0,01 |
| 887.006 | 80 mA | 250 | 400 | 0,10 | 35 | 0,01 |
| 887.007 | 100 mA | 250 | 350 | 0,17 | 35 | 0,02 |
| 887.008 | 125 mA | 250 | 300 | 0,18 | 35 | 0,04 |
| 887.009 | 160 mA | 250 | 280 | 0,19 | 35 | 0,06 |
| 887.010 | 200 mA | 250 | 260 | 0,20 | 35 | 0,30 |
| 887.011 | 250 mA | 250 | 240 | 0,22 | 35 | 0,71 |
| 887.012 | 315 mA | 250 | 220 | 0,25 | 35 | 1,00 |
| 887.013 | 400 mA | 250 | 200 | 0,28 | 35 | 1,50 |
| 887.014 | 500 mA | 250 | 190 | 0,31 | 35 | 2,90 |
| 887.015 | 630 mA | 250 | 180 | 0,35 | 35 | 4,30 |
| 887.016 | 800 mA | 250 | 160 | 0,43 | 35 | 6,50 |
| 887.017 | 1,00 A | 250 | 140 | 0,50 | 35 | 11,0 |
| 887.018 | 1,25 A | 250 | 130 | 0,60 | 35 | 15,0 |
| 887.019 | 1,60 A | 250 | 120 | 0,73 | 35 | 26,0 |
| 887.020 | 2,00 A | 250 | 100 | 0,87 | 35 | 37,0 |
| 887.021 | 2,50 A | 250 | 100 | 1,00 | 35 | 61,0 |
| 887.022 | 3,15 A | 250 | 100 | 1,20 | 35 | 98,0 |
| 887.023 | 4,00 A | 250 | 100 | 1,40 | 40 | 136 |
| 887.024 | 5,00 A | 250 | 100 | 1,50 | 50 | 212 |
| 887.025 | 6,30 A | 250 | 100 | 1,65 | 63 | 321 |

I_N - t Verhalten / I_N - t characteristics:

| Bemessungsstrom-Faktor / Rated current factor | Schmelzzeit / Melting time: |
|---|---|
| | 50 mA - 6,3 A |
| 1,5 · I _N | t _{min} 60 min t _{max} - |
| 2,1 · I _N | t _{min} 0 t _{max} 2 min |
| 2,75 · I _N | t _{min} 400 ms t _{max} 10 s |
| 4 · I _N | t _{min} 150 ms t _{max} 3 s |
| 10 · I _N | t _{min} 20 ms t _{max} 150 ms |



Ø 8,5 x 8,0 mm

T - träge
time-lag



Spannung
Voltage **250 V**

Strom
Current **160 mA - 6,3 A**

Ausschaltvermögen
Breaking capacity **100 A**



Norm gemäß / Standard according to: IEC 60127-3-4

Aufbau / Construction: Temperaturbeständiges Thermoplast / Temperature resistant thermoplastic body (UL-94-V0)

Anschluss / Connection: Kupfer verzinkt / Tin-plated copper

Betriebstemperatur / Operating temperature: -55°C bis / to 125°C (De-rating beachten / consider De-rating)

Lötbarkeit / Solderability: T = 250°C; t < 3s (Reflowlötten / reflow soldering)

Verpackungsmöglichkeit / Packing option:
Kurzer Anschlussdraht / Short leads (= 4,5 mm)
1.000 Stk. = Industrieverpackung / 1.000 pcs. = Industrial box

Langer Anschlussdraht / Long leads (= 19,2 mm)
1.000 Stk. = Ammopack / 1.000 pcs. = Ammopack
(Beispiel / example: 887.107G)

Bemessungswerte / Ratings:

| Art. No. | I _N | U _N [V] | R _{cold typ} [Ω] | U _{d max} [mV] | P _{d max} [W] | I _{BC} [A] | I ² t [A ² s] |
|----------|----------------|--------------------|---------------------------|-------------------------|------------------------|---------------------|-------------------------------------|
| 887.109 | 160 mA | 250 | 1,150 | 280 | 0,19 | 100 | 0,17 |
| 887.110 | 200 mA | 250 | 0,763 | 260 | 0,20 | 100 | 0,30 |
| 887.111 | 250 mA | 250 | 0,700 | 240 | 0,22 | 100 | 0,71 |
| 887.112 | 315 mA | 250 | 0,485 | 220 | 0,25 | 100 | 1,00 |
| 887.113 | 400 mA | 250 | 0,309 | 200 | 0,28 | 100 | 1,50 |
| 887.114 | 500 mA | 250 | 0,238 | 190 | 0,31 | 100 | 2,90 |
| 887.115 | 630 mA | 250 | 0,193 | 180 | 0,35 | 100 | 4,30 |
| 887.116 | 800 mA | 250 | 0,132 | 160 | 0,43 | 100 | 6,50 |
| 887.117 | 1,00 A | 250 | 0,094 | 140 | 0,50 | 100 | 11,0 |
| 887.118 | 1,25 A | 250 | 0,065 | 130 | 0,60 | 100 | 15,0 |
| 887.119 | 1,60 A | 250 | 0,0453 | 120 | 0,73 | 100 | 26,0 |
| 887.120 | 2,00 A | 250 | 0,0338 | 100 | 0,87 | 100 | 37,0 |
| 887.121 | 2,50 A | 250 | 0,0233 | 100 | 1,00 | 100 | 61,0 |
| 887.122 | 3,15 A | 250 | 0,0173 | 100 | 1,20 | 100 | 98,0 |
| 887.123 | 4,00 A | 250 | 0,0126 | 100 | 1,40 | 100 | 136 |
| 887.124 | 5,00 A | 250 | 0,0101 | 100 | 1,50 | 100 | 212 |
| 887.125 | 6,30 A | 250 | 0,0071 | 100 | 1,65 | 100 | 321 |

I_N - t Verhalten / I_N - t characteristics:

| Bemessungsstrom-Faktor / Rated current factor | Schmelzzeit / Melting time: |
|---|---|
| | 100 mA - 6,3 A |
| 1,5 · I _N | t _{min} 60 min t _{max} - |
| 2,1 · I _N | t _{min} 0 t _{max} 2 min |
| 2,75 · I _N | t _{min} 400 ms t _{max} 10 s |
| 4 · I _N | t _{min} 150 ms t _{max} 3 s |
| 10 · I _N | t _{min} 20 ms t _{max} 150 ms |

