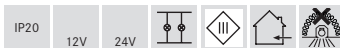
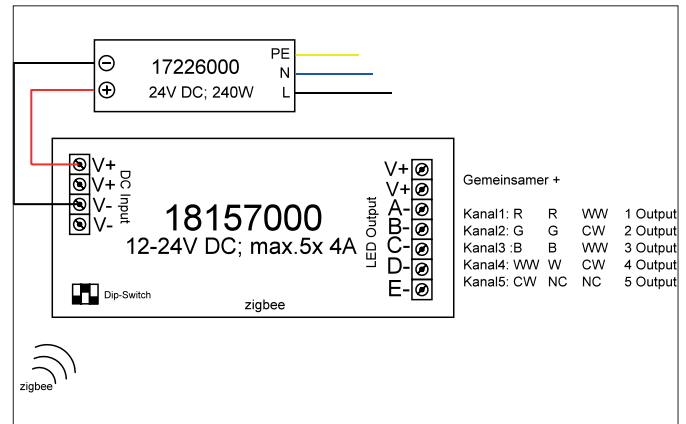


LED dimmer 12-24 V DC, Zigbee dimmable

Article no. 18157000

Light.
For Generations.



Tender

LED dimmer 12-24 V DC, Zigbee dimmable. ZigBee LED dimmer for constant voltage operation (12-24 V DC) using 5 channels. The device can be adjusted for different operating modes. 5 x “one-color” (not independent), 2 x “TunableWhite” (not independent), 1 x RGBW, 1 x RGB + TunableWhite (ww+w). An external power supply is required for operation. The input and output terminals are suitable for cables with a cross-section of up to 1.5 mm². Input voltage: 12 – 24 V DC, output voltage: depending on the input voltage (12 – 24 V DC), output current: 4 A per channel, output power: 48 W (12 V DC) – 96 W (24 V DC) per channel, ambient temperature (ta): -20 °C to +50 °C, measuring point (tc): maximum +75 °C, including strain relief, material: plastic, (dimensions: L 145 x W 46.5 x H 16 mm. Frequency: 2.4 GHz, protocol: ZigBee 3.0 Ps = < 100 mW Material: Plastic, Degree of protection: according to DIN EN 60529 IP20, Protection class: (EN 61140) III, Voltage: 12V 24V, Power: 240 W, Control: ZigBee.

Article data	
Article no.	18157000
GTIN	4251433927396
Short description	LED dimmer 12-24 V DC, Zigbee dimmable
Material	Plastic
Length	145 mm
Width	46.5 mm
Height	16 mm
Weight	0.070 kg

LED dimmer 12-24 V DC, Zigbee dimmable

Article no. 18157000

Light.
For Generations.

Operating technology of driver	
Protection class	III
Degree of protection	IP20
Power min	48 W
Power max.	240 W
Control	ZigBee
Environment temperature (ta)	0 °C up to +45 °C
Measure point (tc)	max. +75 °C

Packing data	
Gross weight	0.101 kg
Length of packaging	60 mm
Packaging width	27 mm
Packaging height	150 mm
Disposal at end of life	This product must not be disposed of with household waste. You are obliged, to dispose of such electrical waste separately. By disposing of electrical waste and other old or defective electronics separately, you support recycling or other forms of re-use. In that way you help to take care and to avoid that harmful substances get into the environment.