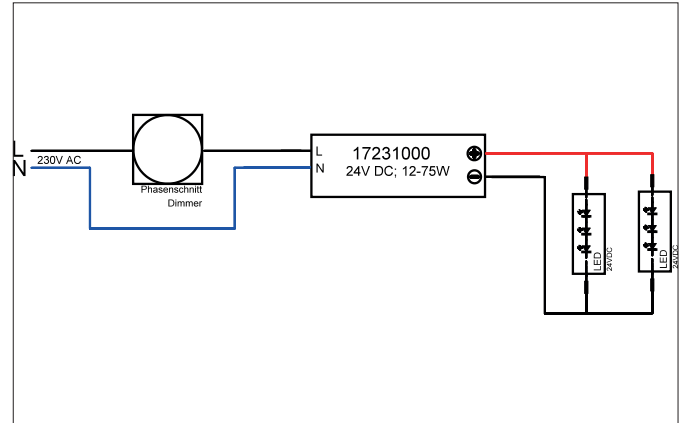


LED power supply 24 V DC, dimmable

Article no. 17231000

Light.
For Generations.



Tender

LED power supply 24 V DC, dimmable, , Rectangular. Material: Plastic, Degree of protection: according to DIN EN 60529 IP20, Protection class: (EN 61140) II, Voltage: 24 V DC, Power: 75 W, Dimmable: Yes, Control: Trailing-edge phase.

Article data

Article no.	17231000
GTIN	4251433938453
Short description	LED power supply 24 V DC, dimmable
Material	Plastic
Shape	Rectangular
Length	185 mm
Width	60 mm
Height	31 mm
Weight	0.488 kg
stamp	ENEC, MM

LED power supply 24 V DC, dimmable

Article no. 17231000

Light.
For Generations.

Operating technology of driver	
AC nominal voltage min	198 V
AC nominal voltage max	264 V
Frequency min	50 Hz
Frequency max	60 Hz
Output current	3,1 A mA
Protection class	II
Degree of protection	IP20
max. no. lights on B16 A	14
Starting current	30 A (300 µs)
Power min	12 W
Power max.	75 W
Output_ripple_current	300
Suitable for emergency lighting	No
Control	Trailing-edge phase
Environment temperature (ta)	-10 °C up to +45 °C
Measure point (tc)	max. +85 °C
Average nominal lifespan	30000 h
Power factor	0.95

Packing data	
Gross weight	0.505 kg
Length of packaging	190 mm
Packaging width	35 mm
Packaging height	65 mm
Disposal at end of life	This product must not be disposed of with household waste. You are obliged, to dispose of such electrical waste separately. By disposing of electrical waste and other old or defective electronics separately, you support recycling or other forms of re-use. In that way you help to take care and to avoid that harmful substances get into the environment.