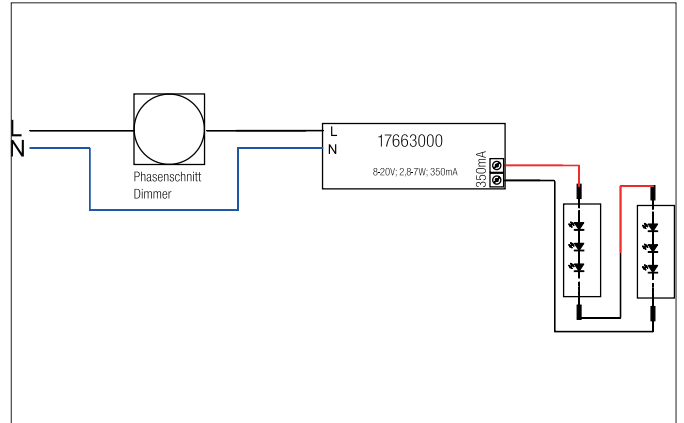
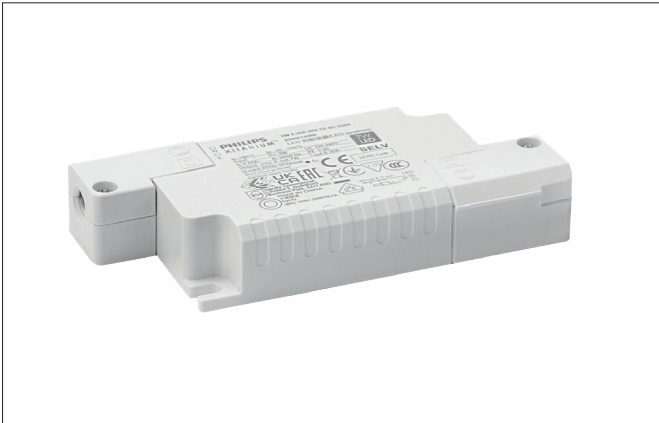


## LED converter 350 mA, trailing-edge phase dimmable

Article no. 17663010

Light.  
For Generations.



### Tender

LED converter 350 mA, trailing-edge phase dimmable, , Rectangular. This converter is equipped with safety devices which protect it against overvoltage, short-circuit as well as thermal and electric overloads. The input and output terminals are suitable for cables with a cross-section of up to 1.5 mm<sup>2</sup>. Material: Plastic, Degree of protection: according to DIN EN 60529 IP20, Protection class: (EN 61140) II, Current: 350 mA, Voltage: 230V AC 50Hz, Power: 7 W, Dimmable: Yes, Control: Trailing-edge phase.

| Article data      |  |
|-------------------|--|
| Article no.       | 17663010   |
| GTIN              | 4251433918462                                      |
| Short description | LED converter 350 mA, trailing-edge phase dimmable |
| Material          | Plastic  |
| Shape             | Rectangular  |
| Length            | 110 mm   |
| Width             | 50 mm  |
| Height            | 19 mm  |
| Scope of delivery | Plug&Play version with 110 mm P&P output cable     |
| Weight            | 0.054 kg   |
| stamp             | ENEC 05  |

**LED converter 350 mA, trailing-edge phase dimmable**

Article no. 17663010

Light.  
For Generations.

| Operating technology of driver  |                     |
|---------------------------------|---------------------|
| AC nominal voltage min          | 198 V               |
| AC nominal voltage max          | 264 V               |
| Frequency min                   | 50 Hz               |
| Frequency max                   | 60 Hz               |
| Output current                  | 350 mA              |
| Protection class                | II                  |
| Degree of protection            | IP20                |
| max. no. lights on B16 A        | 250                 |
| Starting current                | 1A (15,2 µs)        |
| Power min                       | 2.8 W               |
| Power max.                      | 7 W                 |
| Output_ripple_current           | 20                  |
| Suitable for emergency lighting | No                  |
| Control                         | Trailing-edge phase |
| Flicker-free                    | Yes                 |
| Environment temperature (ta)    | 0°C up to 40°C      |
| Measure point (tc)              | max. +80 °C         |
| Average nominal lifespan        | 50000 h             |
| Version                         | without             |
| Efficiency                      | 0.78                |
| Power factor                    | 0.9                 |

| Packing data            |   |
|-------------------------|---|
| Gross weight            | 0.079 kg  |
| Length of packaging     | 60 mm   |
| Packaging width         | 27 mm   |
| Packaging height        | 150 mm  |
| Disposal at end of life | This product must not be disposed of with household waste. You are obliged, to dispose of such electrical waste separately.<br>By disposing of electrical waste and other old or defective electronics separately, you support recycling or other forms of re-use. In that way you help to take care and to avoid that harmful substances get into the environment. |