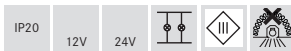
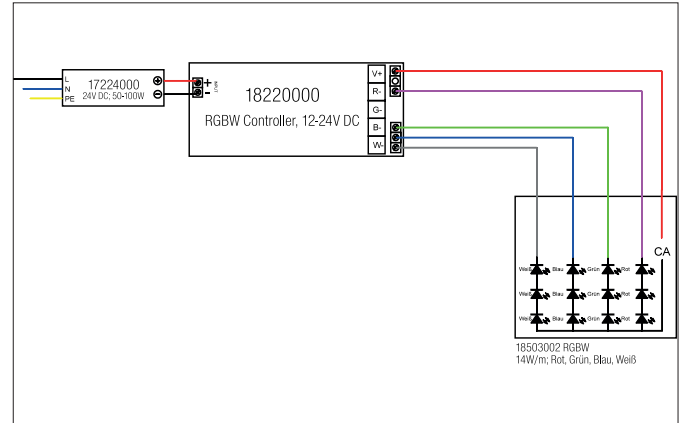


RGBW radio control

Article no. 18223000

Light.
For Generations.



Tender
 RGBW radio control. RGBW radio controller for controlling the RGBW LED modules for color and white light. Voltage: 12-24 V DC, Current: maximum 4 x 2.5 A. Power: maximum 240 W / 480 W (12 V DC / 24 V DC). Control: negative (common anode). Control signal: PWM. Radio frequency: 869.5 MHz. Range (visual contact): up to 20 m. Ambient temperature (ta): 0 °C to +40 °C. Controller connection using screw terminals. Dimensions: L 178 x W 46 x H 18 mm. Material: Plastic. Delivery: including strain relief. Controller per remote control: maximum 4 (for optimum radio connection). Remote control: voltage (battery): 4.5 V DC - 3 x AAA (not included in the scope of delivery). Radio frequency: 869.5 MHz, transmission power (Ps) < 0 dBm, Range (visual contact): up to 20 m. Ambient temperature (ta): 0 °C to +40 °C. Dimensions: L 120 x W 48 x H 18 mm. Material: Plastic. Function scope:- On / Off. White light selection key (ww / nw / w). RGB color change using a touch wheel. Dimmer keys for red / green / blue / white- Dimming of the set light color. Save keys S1 / S2. Color gradient: Start / Stop. Color gradient: Speed Degree of protection: according to DIN EN 60529 IP20, Protection class: (EN 61140) III, Voltage: 12V 24V, Power: 240 W, Control: Wireless technology control.

Article data	
Article no.	18223000
GTIN	4251433922599
Short description	RGBW radio control
Material	Plastic
Weight	0.121 kg

RGBW radio control
Article no. 18223000

Light.
For Generations.

Packing data	
Gross weight	0.141 kg
Length of packaging	53 mm
Packaging width	150 mm
Packaging height	41 mm
Disposal at end of life	<p>This product must not be disposed of with household waste. You are obliged, to dispose of such electrical waste separately.</p> <p>By disposing of electrical waste and other old or defective electronics separately, you support recycling or other forms of re-use. In that way you help to take care and to avoid that harmful substances get into the environment.</p>