

# wall mounting socket outlet, fused - housing dimensions 460x180 with fuse isolator NH 00



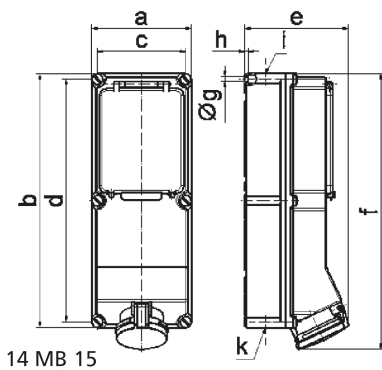
Product description	
BALS-Prd.-Nr	15154
EAN	4024941151542
Product category	Wall mounting socket outlet, fused
Current	63A
Number of poles	5p
Arrangement of phases	3p+N+PE
Position of earth contact	6 h
Voltage	200/346 - 240/415V~

Product description	
Frequency	50/60Hz
Protection degree	IP44
Colour code	red RAL 3000
Colour of appliance	Hinged lid red RAL 3000, Housing bottom grey RAL 7035, Housing screws grey RAL 7035, Housing top grey RAL 7035, Operating window smoky topaz
Connection design	screw terminal as box terminal with Kontex-contact
Maximum conductor size	25.0 qmm
Cable entry	1xM40 top and 1xM32/M40 bottom
Height	500mm
Width	180mm
Depth	191mm
Dimension of enclosure	460x180 mm (HxW)
Material of enclosure	Polycarbonate
Contacts	The contact carrier is made of high temperature resistant material, the contacts are brass nickel plated

Additional technical properties	
	The cable entry is one at top and two at bottom open
	with blade fuse disconnecter NH 00

Logistics data	
Weight/pcs	3.39 kg / Piece

Logistics data	
Packaging	Carton
Content amount	1 ST
EAN	4024941151542
Length	560 mm
Width	215 mm
Height	260 mm
Weight	3.852 kg
Volume	26,400 ccm



Ampere	63	63			
Polzahl	4	5			
a	180,0	180,0			
b	460,0	460,0			
c	160,0	160,0			
d	440,0	440,0			
e	182,0	182,0			
f	498,0	498,0			
g ø	8,3	8,3			
h	6,5	6,5			
i	M40	M40			
k	M32/40	M32/40			