

wall mounting socket outlet, fused - housing dimensions 260x160, with RCCB



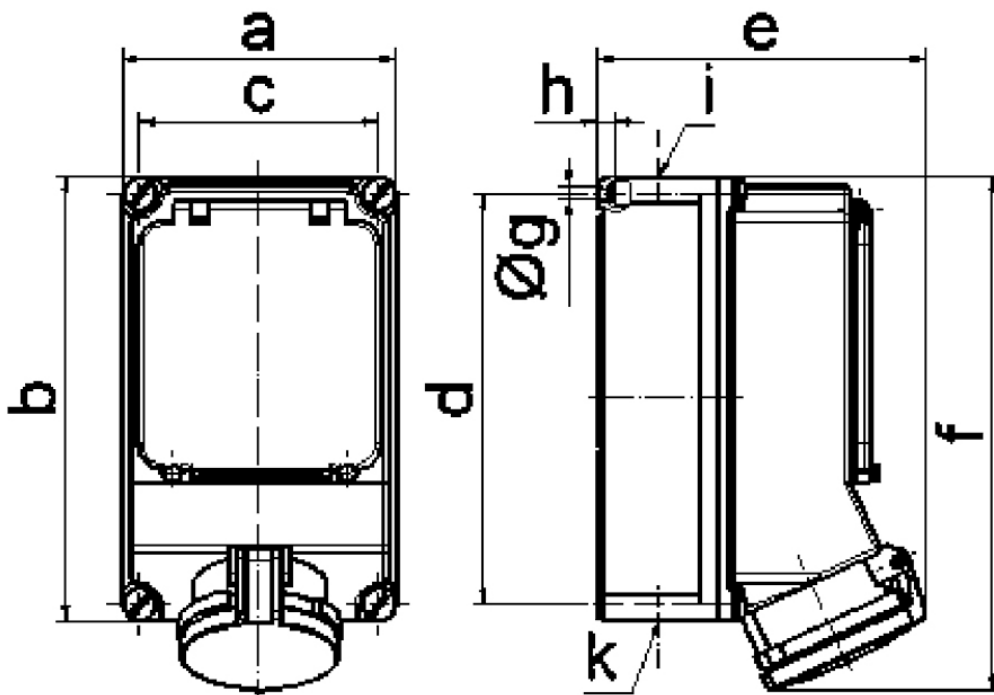
| Product description | |
|---------------------------|------------------------------------|
| BALS-Prd.-Nr | 15147 |
| EAN | 4024941151474 |
| Product category | Wall mounting socket outlet, fused |
| Current | 32A |
| Number of poles | 5p |
| Arrangement of phases | 3p+N+PE |
| Position of earth contact | 6 h |
| Voltage | 200/346 - 240/415V~ |

| Product description | |
|------------------------|--|
| Frequency | 50/60Hz |
| Protection degree | IP44 |
| Colour code | red RAL 3000 |
| Colour of appliance | Hinged lid red RAL 3000, Housing bottom grey RAL 7035, Housing top grey RAL 7035, Operating window smoky topaz, Housing screws grey RAL 7035 |
| Connection design | with screw terminal |
| Maximum conductor size | 10,0 qmm |
| Cable entry | top entry M40 bottom entry M40/M32 |
| Height | 287mm |
| Width | 160mm |
| Depth | 165mm |
| Dimension of enclosure | 260x160 mm (HxW) |
| Material of enclosure | Polycarbonate |
| Contacts | The contact carrier is made of polyamide, the contacts are brass nickel plated |

| Additional technical properties | |
|---------------------------------|--|
| | The cable entry is one at top and two at bottom open |
| | With 4 pole 40/0.03A RCCB |

| Logistics data | |
|----------------|-----------------|
| Weight/pcs | 2.02 kg / Piece |
| Packaging | Carton |

| Logistics data | |
|----------------|---------------|
| Content amount | 1 ST |
| EAN | 4024941151474 |
| Length | 325 mm |
| Width | 217 mm |
| Height | 210 mm |
| Weight | 2.236 kg |
| Volume | 13,588.4 ccm |



14 MB 14