

wall mounting socket outlet, fused - housing dimension 170x90, with residual current circuit breaker

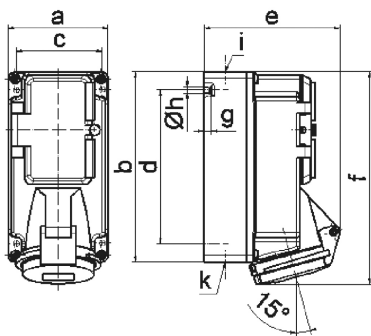


Product description	
BALS-Prd.-Nr	15101
EAN	4024941151016
Product category	Quick-Connect wall mounting socket outlet, fused
Current	16A
Number of poles	3p
Arrangement of phases	2P+PE
Position of earth contact	6 h
Voltage	200 - 250V~

Product description	
Frequency	50/60Hz
Protection degree	IP44
Colour code	blue RAL 5015
Colour of appliance	Hinged lid blue RAL 5015, Housing bottom grey RAL 7035, Housing top grey RAL 7035, Operating window smoky topaz
Connection design	screwless spring terminals with Kontex-Kontakt
Maximum conductor size	4,0 qmm
Cable entry	top entry M20 bottom entry M25/20
Height	188mm
Width	90mm
Depth	108mm
Dimension of enclosure	170x90 mm (HxW)
Material of enclosure	Polycarbonate
Contacts	The contact carrier is made of high temperature resistant material, the contacts are brass nickel plated

Additional technical properties	
	The cable entry is one at top open and two at bottom closed
	Lower part of housing rotatable by 180°
	housing with rubber gasket and frame for intermediate mounting

Logistics data	
Weight/pcs	0.682 kg / Piece
Packaging	Carton
Content amount	1 ST
EAN	4024941151016
Length	205 mm
Width	102 mm
Height	134 mm
Weight	0.742 kg
Volume	2,118.48 ccm



14 MB 3

Ampere Polzahl	16 3	16 4	16 5			
a	90,0	90,0	90,0			
b	170,0	170,0	170,0			
c	77,0	77,0	77,0			
d	137,5	137,5	137,5			
e	118,0	114,0	121,0			
f	188,5	188,5	190,0			
g	6,0	6,0	6,0			
h ø	5,5	5,5	5,5			
i	M20	M20	M20			
k	M20/25	M20/25	M20/25			