

Isolator Barriers

Switching repeater

Ex i field circuit

9170/21-12-21s Art. No. 203281



- Can be used up to SIL 2 (IEC/EN 61508)
- Wire-breakage and short-circuit monitoring system, which can be disconnected and issues alerts
- Optional line error transparency: The device notifies the control system directly of any field-side line faults via the signal output.

WebCode 9170A



9170 series Ex i switching repeaters can be used for operating contacts, NAMUR proximity sensors or optocouplers. Models are available with one or two channels. The intrinsically safe digital input is always galvanically separated from the output and auxiliary power. The channels in the two-channel devices are galvanically separated. Certain variants transmit frequencies of up to 10 kHz and the output signal can be inverted.

Technical Data

Explosion Protection

Ex interface zone	0 1 2 20 21 22
IECEX gas certificate	IECEX BVS 09.0041 X
IECEX gas explosion protection	Ex [Ex ia Ga] IIC
IECEX dust certificate	IECEX BVS 09.0041 X
IECEX dust explosion protection	[Ex ia Da] IIIC
ATEX gas certificate	DMT 02 ATEX E 195 X
ATEX gas explosion protection	⊕ II (1) G Ex [Ex ia Ga] IIC
ATEX dust certificate	DMT 02 ATEX E 195 X
ATEX dust explosion protection	⊕ II (1) D [Ex ia Da] IIIC
FMus certificate	FM16US0122X
cFM certificate	FM16CA0067X
Marking cFMus	AIS Class I,II,III, Div. 1, Groups A,B,C,D,E,F,G; Class I, Zone 0, [AEx ia]/[Ex ia] IIC T4 at Ta = 70°C See Doc. 91 706 02 31 1
EAC certificate	EAEU RU S-DE.HA91.B.00100/20
EAC gas explosion protection	⊕ [Ex ia Ga] IIC X
EAC dust explosion protection	⊕ [Ex ia Da] IIIC X
Certificates	ATEX (BVS), Brazil (ULB), Canada (FM), Canada (UL), EAC (ENDCE), IECEX (BVS), India (PESO), Korea (KGS), SIL (exida), USA (FM), USA (UL)
Ship approval	CCS, EU RO MR (DNV GL)
Installation	in safe area

Isolator Barriers

Switching repeater

Ex i field circuit

9170/21-12-21s Art. No. 203281



Explosion Protection

Further information see respective certificate and operating instructions

Safety Data

Max. voltage U_o/V_{oc}	9.6 V
Max. current I_o/I_{sc}	10 mA
Max. power P_o	24 mW
Max. permissible external capacitance C_o/C_a for IIC	3.6 μ F
Max. permissible external capacitance C_o/C_a for IIB	26 μ F
Max. permissible external inductance L_o/L_a for IIC	350 mH
Max. permissible external inductance L_o/L_a for IIB	1000 mH
Internal capacitance	2.42 nF
Internal inductance	Negligible
Safety-related max. voltage	253 V

Functional Safety

SIL 2

Electrical Data

Number of channels	2
LFD relay	No

Auxiliary Power

Auxiliary power	110 to 230 V AC
Min. auxiliary power nominal voltage	120 V
Max. auxiliary power nominal voltage	230 V
Auxiliary power voltage range	96 to 253 V
Nominal current	18 mA
Power consumption	2.8 W
Max. power dissipation	2 W
Undervoltage monitoring	Yes
Operation indication	Green "PWR" LED
HE frequency range	48 ... 62 Hz

Galvanic Isolation

Test voltage as per standard	IEC EN 60079-11
Ex i input to output	1.5 kV AC
Ex i input to auxiliary power	1.5 kV AC
Ex i input to fault message contact	1.5 kV AC
Ex i to Ex i galvanic separation	500 V AC
Test voltage as per standard 2	EN 50178
Output to auxiliary power	1,1 kV AC
Output to output	1,1 kV AC

Input

Input signal	As per EN 60947-5-6 (NAMUR)
Input current for ON	$\geq 2,1$ mA
Input current for OFF	≤ 1.2 mA

Isolator Barriers

Switching repeater

Ex i field circuit

9170/21-12-21s Art. No. 203281



Input

Hysteresis	ok. 0,2 mA
Input internal resistance Ri	1000 Ω
Input for open-circuit voltage Ua	8,2 V
Short-circuit current	≤ 8.2 mA

Output

Output per channel	1 change-over contact – power relay
Output	1 change-over contact – power relay
Min. output load condition	12 V/0.1 mA
Max. output DC load condition	250 V/2 A
Max. output AC load condition	250 V/4 A
Output switching capacity	50 W / 1000 VA
Output electrical service life	1 x 10 ⁵ operating cycles at 250 V/4 A
Output mechanical service life	15 x 10 ⁶ operating cycles
Recommended back-up fuse	≤F 4 A AC/2 A DC
Output switching frequency	6 Hz
Switching delay ON/OFF	10 ms
Switching delay ON/OFF	10 ms
INV switch user adjustment	Activated/deactivated
Switching state indication	Yellow "OUT" LED per channel
Fault message contact switching capacity	30 V / 100 mA
LF switch user adjustment	Activated/deactivated
Indication of line fault	Red "LF" LED for each channel
Wire breakage error detection	IE < 0.05 to 0.35 mA
Short circuit error detection	RE < 100 to 360 ohm
Line fault and loss of power signalization	Contact (30 V / 100 mA) closed to ground in case of fault pac-Bus, floating contact (30 V / 100 mA)

Ambient Conditions

Ambient temperature °C	-20 °C ... +70 °C (Single device) -20 °C ... +60 °C (Group assembly)
Ambient temperature °F	-4 °F ... +158 °F (Single device) -4 °F ... +140 °F (Group assembly)
Storage temperature °C	-40 °C ... +80 °C
Storage temperature °F	-40 °F ... +176 °F
Max. relative humidity	95%
Use at the height of	< 2000 m
Electromagnetic compatibility	Tested to the following standards and regulations: EN 61326-1 Use in industrial environment; NAMUR NE 21

Mechanical Data

Degree of protection (IP)	IP30
Terminal degree of prot. (IP)	IP20
Fire resistance (UL 94)	V0
Enclosure material	Polyamide
Grid dimension	17.6 mm
Width	17.6 mm
Width, inches	0.69 in

Isolator Barriers

Switching repeater

Ex i field circuit

9170/21-12-21s Art. No. 203281



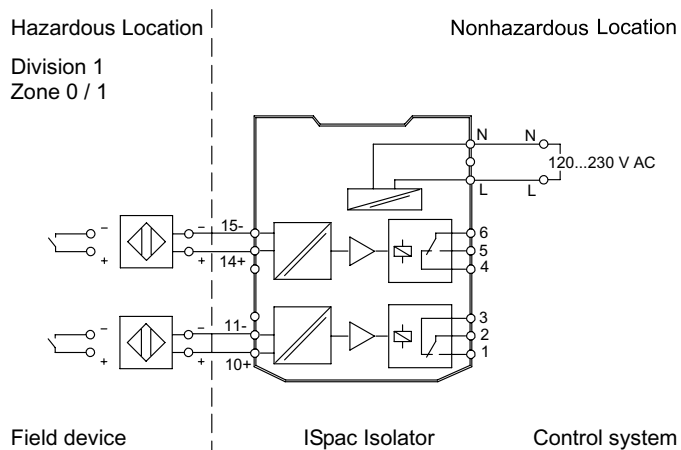
Mechanical Data

Height	114.5 mm
Height, inches	4.51 in
Length	108 mm
Length, inches	4.25 in
Weight	0.225 kg
Weight	0.5 lb

Mounting / Installation

Mounting type	DIN rail NS35/15, NS35/7.5
Mounting orientation	Vertical Horizontal
Connection type	Screw terminal
Min. rigid conductor cross section	0.2 mm ²
Max. rigid conductor cross section	2.5 mm ²
Min. flex conductor cross section	0.2 mm ²
Max. flex conductor cross section	2.5 mm ²
Connection cross-section AWG	24 – 13

Technical Drawings – Subject to Alterations



Connection diagram 9170/21-11-21

Isolator Barriers

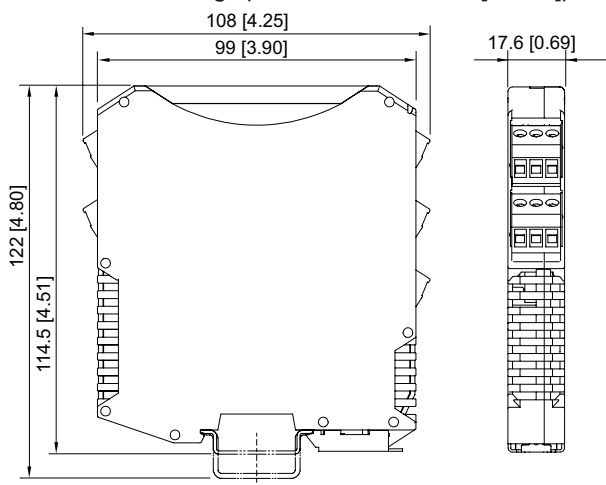
Switching repeater

Ex i field circuit

9170/21-12-21s Art. No. 203281



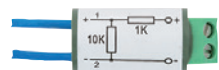
Dimensional Drawings (All Dimensions in mm [inches]) – Subject to Alterations



ISpac Series 9146, 9147, 9160, 9162, 9163, 9165, 9167, 9170, 9172, 9175, 9176, 9180, 9182, 9193, ISbus Series 9412 with screw terminal

Accessories

Resistance coupling element



Connection of additional contacts in the Ex area as well, in order to enable short circuit and open circuit detection.

Art. No.

105944

We reserve the right to make alterations to the technical data, dimensions, weights, designs and products available without notice. The illustrations cannot be considered binding.