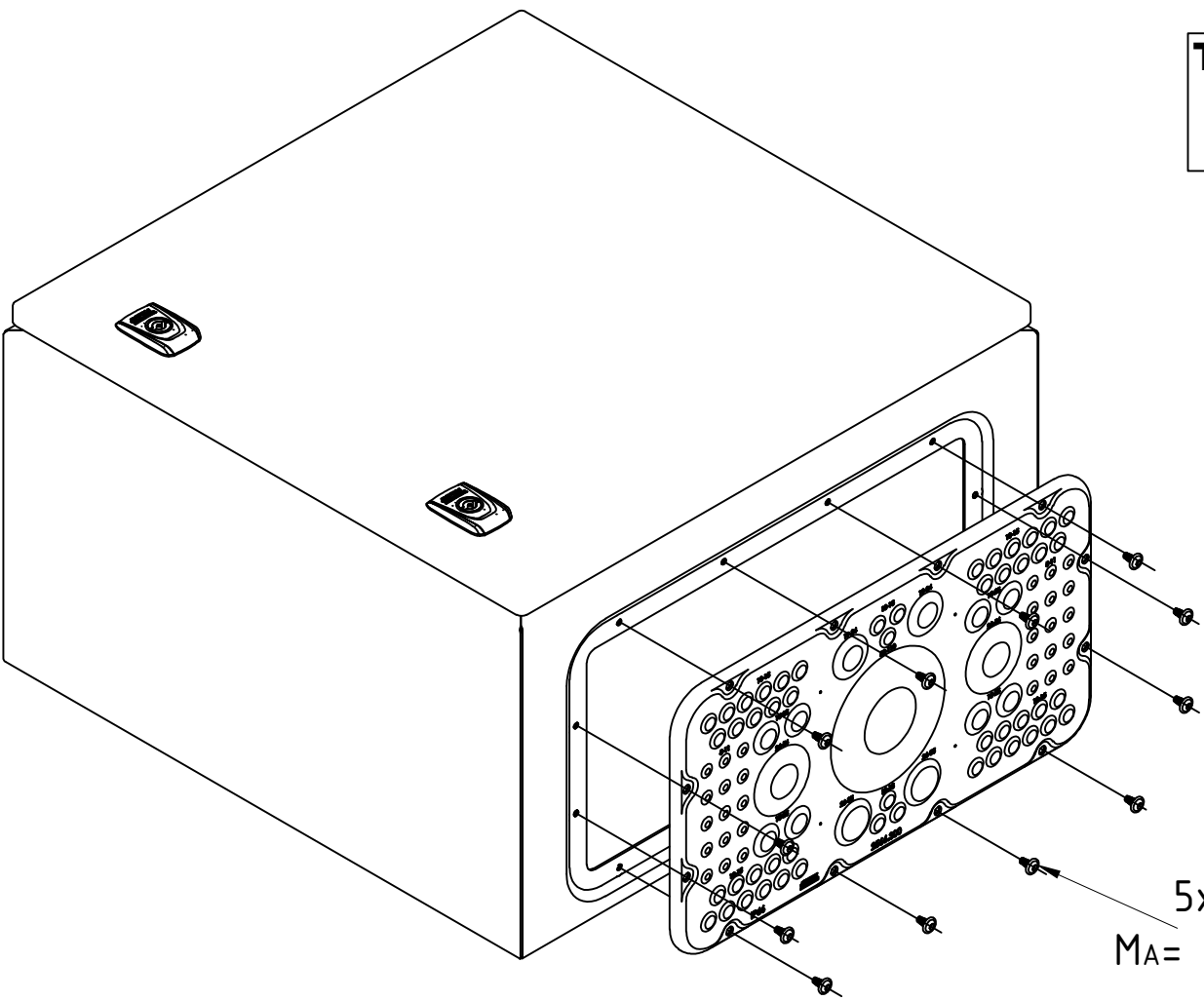


**TX25**



5x16  
MA= 1,5+0,5 Nm



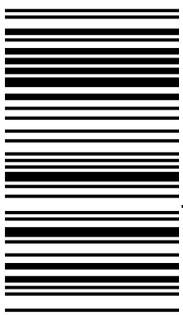
Raum für Verpackungsdatum  
Area for date of packing  
(MMJJTT/MMYYDD)

[www.rittal.com](http://www.rittal.com)

**SZ**

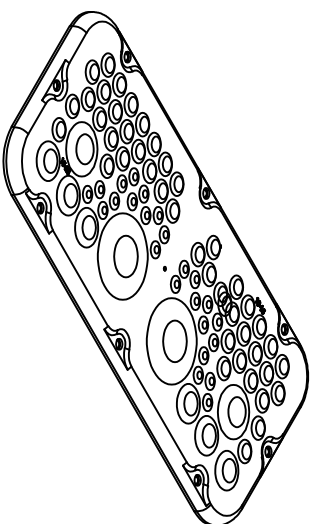
**2562.300**

AX plastic gland plate  
Only for use with Rittal  
AX series products



4028177935716

1x



8x



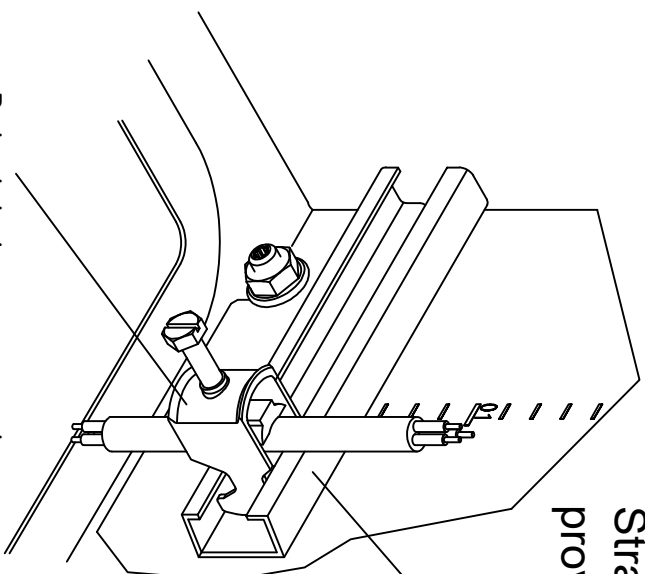
5x16

This gland plate can be used to replace the gland plate and gasket supplied with the AX series.

Zehng.-Nr. / No. of dwg. : A08806101SZ  
Versandbeutel-Nr. / No. of accessory bag : -

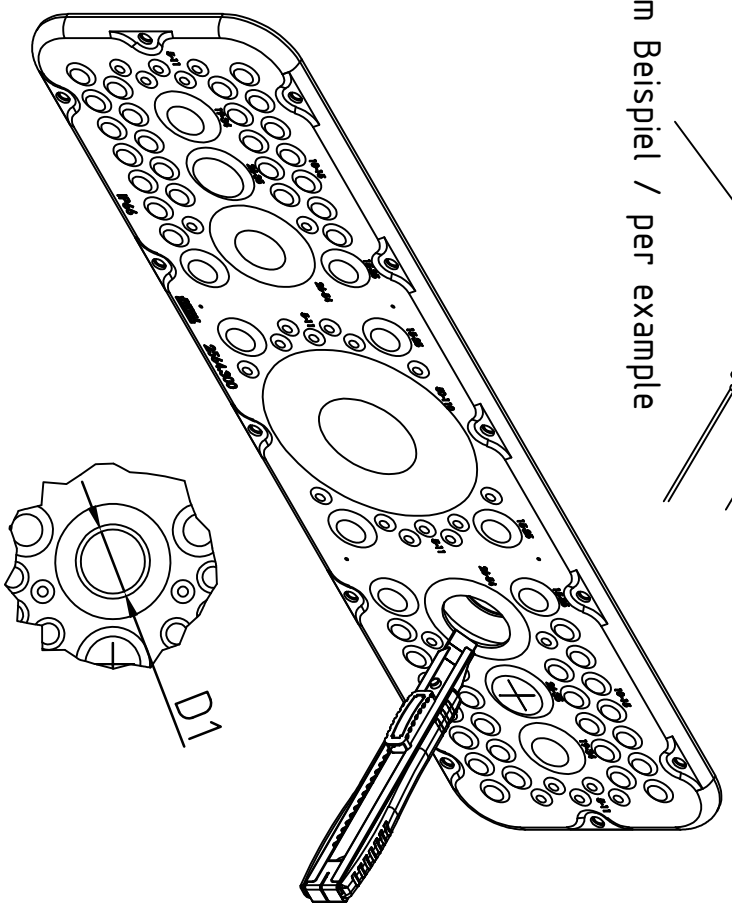
Made in xxx  
Lieferanten-Nr. / No. of supplier :

Strain relief must additionally be provided in the end application.



zum Beispiel / per example

zum Beispiel / per example



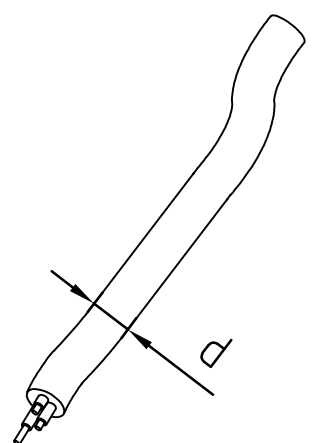
Kreisrund - Schneiden / round cutting

D1= d-15 mm

für/for d= 36-60 mm

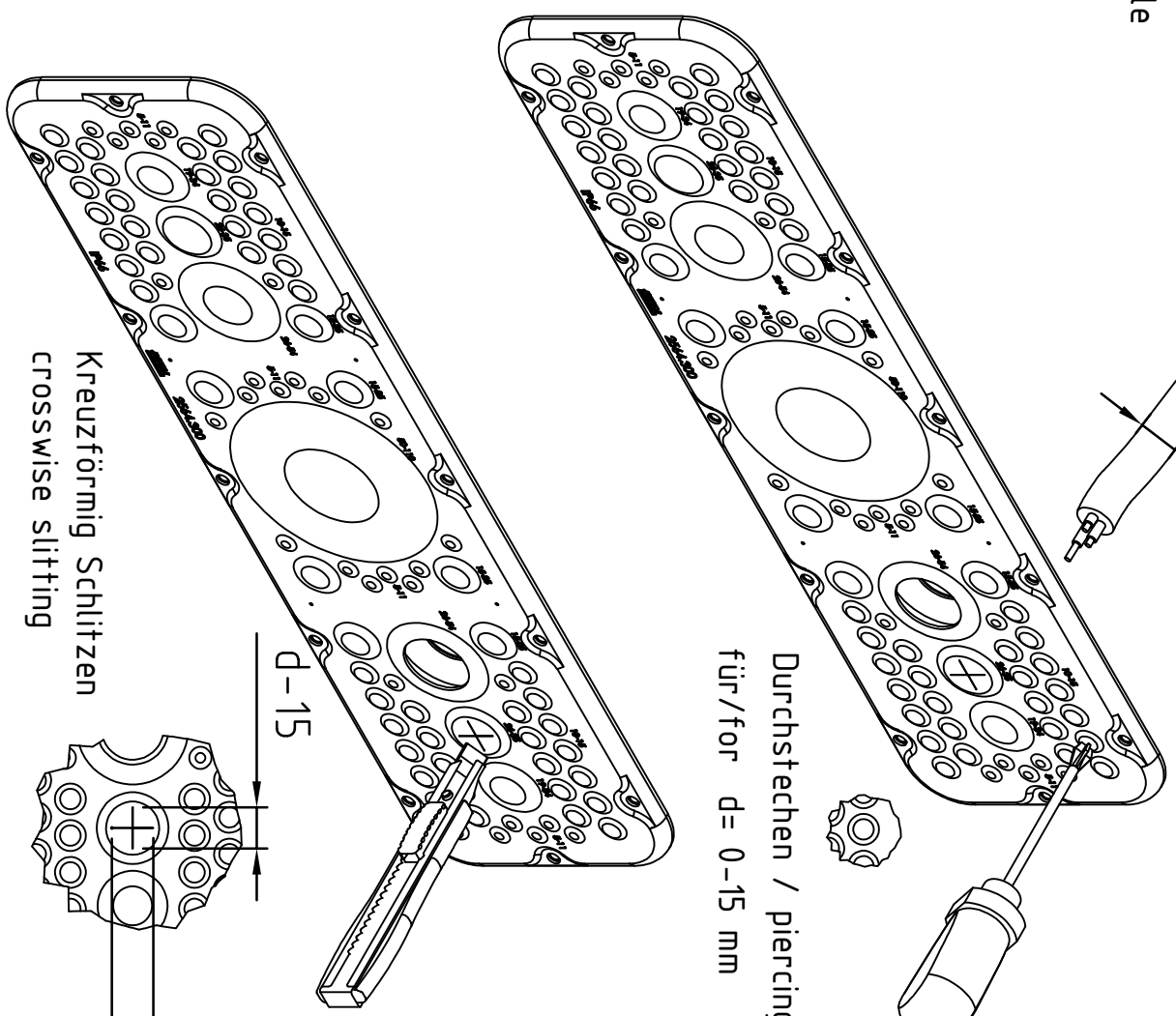
D1= d-20 mm

für/for d= 60-110 mm



Durchstechen / piercing

für/for d= 0-15 mm



Kreuzförmig Schlitzten  
crosswise slitting

d-15

d-15

für/for d= 16-35 mm