

## wall mounting appliance inlet - with hinged cover



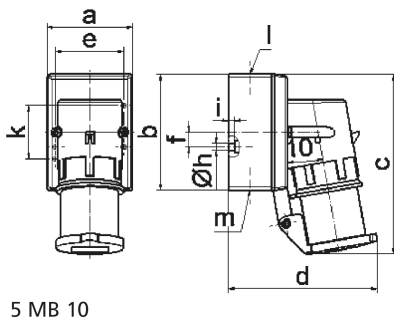
| Product description       |                               |
|---------------------------|-------------------------------|
| BALS-Prd.-Nr              | 2465                          |
| EAN                       | 4024941024655                 |
| Product category          | Wall mounting appliance inlet |
| Current                   | 16A                           |
| Number of poles           | 4p                            |
| Arrangement of phases     | 3P+PE                         |
| Position of earth contact | 6 h                           |
| Voltage                   | 380 - 415V~                   |
| Frequency                 | 50/60Hz                       |

| Product description    |  |
|------------------------|--|
| Protection degree      | IP44   |
| Colour code            | red RAL 3000   |
| Colour of appliance    | Housing bottom grey RAL 7035, Housing top grey RAL 7035, Hinged lid grey RAL 7035, Collar red RAL 3000 |
| Connection design      | with screw terminal  |
| Maximum conductor size | 2,5 qmm  |
| Cable entry            | top entry M20  |
| Height                 | 150mm  |
| Width                  | 75mm   |
| Depth                  | 119mm  |
| Dimension of enclosure | 100x75 mm (HxW)  |
| Material of enclosure  | Polyamide  |
| Contacts               | The contacts are brass, The contact carrier is made of polyamide                                       |

| Additional technical properties |   |
|---------------------------------|---|
|                                 | The cable entry is one at top open and one at bottom and one rear side closed |
|                                 | With hinged lid   |

| Logistics data |                  |
|----------------|------------------|
| Weight/pcs     | 0.255 kg / Piece |
| Packaging      | Bag              |

| Logistics data |               |
|----------------|---------------|
| Content amount | 1 ST          |
| EAN            | 4024941024655 |
| Length         | 119 mm        |
| Width          | 75 mm         |
| Height         | 150 mm        |
| Weight         | 0.256 kg      |
| Volume         | 1,338.75 ccm  |
| Packaging      | Carton        |
| Content amount | 10 ST         |
| EAN            | 4024941970877 |
| Length         | 325 mm        |
| Width          | 217 mm        |
| Height         | 210 mm        |
| Weight         | 2.756 kg      |
| Volume         | 13,588.4 ccm  |



| Ampere                     | 16      | 16      |  |  |  |  |
|----------------------------|---------|---------|--|--|--|--|
| Polzahl                    | 3       | 4       |  |  |  |  |
| a                          | 64,0    | 75,0    |  |  |  |  |
| b                          | 87,0    | 100,0   |  |  |  |  |
| c                          | 138,0   | 150,0   |  |  |  |  |
| d                          | 111,0   | 120,0   |  |  |  |  |
| e                          | 51,0    | 59,0    |  |  |  |  |
| f                          | -       | 11,0    |  |  |  |  |
| h ø                        | 4,1     | 5,1     |  |  |  |  |
| i                          | 4,5     | 4,5     |  |  |  |  |
| k                          | 40,0    | -       |  |  |  |  |
| l                          | M20     | M20     |  |  |  |  |
| m                          | für M20 | für M20 |  |  |  |  |
| Leiter mm <sup>2</sup> min | 1       | 1       |  |  |  |  |
| Leiter mm <sup>2</sup> max | 2,5     | 2,5     |  |  |  |  |