

phase inverter, as wall panel mounting appliance inlet -
without hinged cover

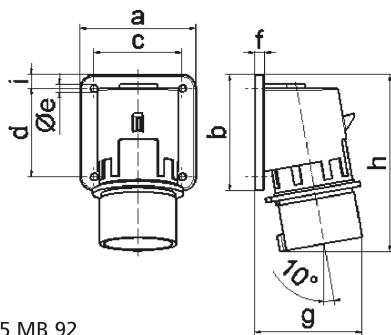


Product description	
BALS-Prd.-Nr	2602
EAN	4024941026024
Product category	Phase inverter as surface mounting appliance inlet
Current	16A
Number of poles	5p
Arrangement of phases	3p+N+PE
Position of earth contact	6 h
Voltage	200/346 - 240/415V~

Product description	
Frequency	50/60Hz
Protection degree	IP44
Colour code	red RAL 3000
Colour of appliance	Collar red RAL 3000, Enclosure grey RAL 7035
Connection design	with screw terminal
Maximum conductor size	2,5 qmm
Cable entry	other
Height	129mm
Width	84mm
Depth	78mm
Flange size vertical in mm	84mm
Flange size horizontal in mm	84mm
Drill hole dist. vertical mm	64mm
Drill hole dist. horizontal mm	64mm
Material of enclosure	Polyamide
Contacts	the contacts are brass nickel plated, The contact carrier is made of polyamide

Logistics data	
Weight/pcs	0.182 kg / Piece
Packaging	Bag
Content amount	1 ST

Logistics data	
EAN	4024941026024
Length	78 mm
Width	84 mm
Height	129 mm
Weight	0.183 kg
Volume	845.208 ccm
Packaging	Carton
Content amount	10 ST
EAN	4024941369725
Length	258 mm
Width	183 mm
Height	212 mm
Weight	1.972 kg
Volume	8,750 ccm



Ampere	16	32				
Polzahl	5	5				
a	84,0	90,0				
b	84,0	75,0				
c	64,0	78,0				
d	64,0	45,0				
e ø	5,5	5,5				
f	7,0	7,0				
g	78,0	88,0				
h	129,0	139,0				
i	10,0	13,0				
Leiter mm ² min	1	2,5				
Leiter mm ² max	2,5	6				