

wall mounting appliance inlet - housing dimensions 170x118



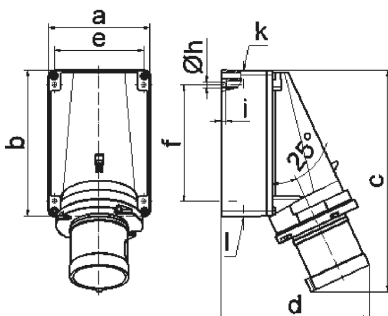
Product description	
BALS-Prd.-Nr	24339
EAN	4024941243391
Product category	Wall mounting appliance inlet
Current	63A
Number of poles	4p
Arrangement of phases	3P+PE
Position of earth contact	7 h
Voltage	480 - 500V~

Product description	
Frequency	50/60Hz
Protection degree	IP44
Colour code	black RAL 9005
Colour of appliance	Housing bottom grey RAL 7035, Housing top grey RAL 7035, Collar black RAL 9005
Connection design	with screw terminal
Maximum conductor size	16,0 qmm
Cable entry	top entry M40 bottom entry M32
Height	259mm
Width	118mm
Depth	174mm
Dimension of enclosure	170x118 mm (HxW)
Material of enclosure	Polycarbonate
Contacts	The contact carrier is made of polyamide, The contacts are brass

Additional technical properties	
	The cable entry is one at top open and two at bottom closed
	Lower part of housing rotatable by 180°

Logistics data	
Weight/pcs	0.925 kg / Piece
Packaging	Bag

Logistics data	
Content amount	1 ST
EAN	4024941243391
Length	174 mm
Width	118 mm
Height	259 mm
Weight	0.926 kg
Volume	5,317.788 ccm
Packaging	Carton
Content amount	5 ST
EAN	4024941958929
Length	445 mm
Width	335 mm
Height	210 mm
Weight	5.001 kg
Volume	29,040 ccm



Ampere	63	63	63			
Polzahl	3	4	5			
a	118,0	118,0	118,0			
b	170,0	170,0	170,0			
c	259,0	259,0	259,0			
d	174,0	174,0	174,0			
e	104,0	104,0	104,0			
f	136,0	136,0	136,0			
h ø	6,1	6,1	6,1			
i	6,0	6,0	6,0			
k	M40	M40	M40			
l	M32/32	M32/32	M32/32			
Leiter mm ² min	6	6	6			
Leiter mm ² max	16	16	16			