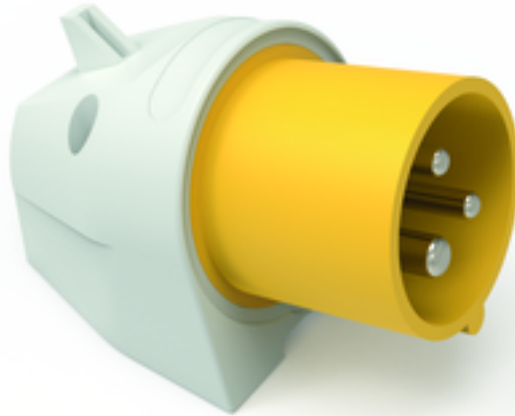


wall mounting appliance inlet - housing dimensions 60x56,5



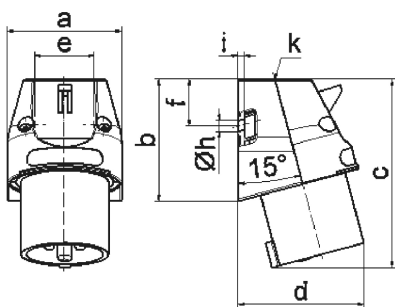
Product description	
BALS-Prd.-Nr	2448
EAN	4024941024488
Product category	Wall mounting appliance inlet
Current	16A
Number of poles	3p
Arrangement of phases	2P+PE
Position of earth contact	4 h
Voltage	100 - 130V~

Product description	
Frequency	50/60Hz
Protection degree	IP44
Colour code	yellow RAL 1012
Colour of appliance	Housing bottom grey RAL 7035, Collar yellow RAL 1012, Housing top grey RAL 7035
Connection design	with screw terminal
Maximum conductor size	2,5 qmm
Cable entry	top entry M20
Height	93mm
Width	57mm
Depth	63mm
Dimension of enclosure	60x56.5 mm (HxW)
Material of enclosure	Polyamide
Contacts	The contacts are brass, The contact carrier is made of polyamide

Additional technical properties	
	The cable entry is one at top open and one rear sided closed

Logistics data	
Weight/pcs	0.11 kg / Piece
Packaging	Bag
Content amount	1 ST

Logistics data	
EAN	4024941024488
Length	63 mm
Width	57 mm
Height	93 mm
Weight	0.111 kg
Volume	333.963 ccm
Packaging	Carton
Content amount	10 ST
EAN	4024941826532
Length	275 mm
Width	175 mm
Height	137 mm
Weight	1.225 kg
Volume	5,737.5 ccm



5 MB 43

Ampere	16					
Polzahl	3					
a	56,5					
b	60,0					
c	93,0					
d	73,0					
e	29,5					
f	23,5					
h ø	5,5					
i	3,0					
k	M20					
Leiter mm ² min	1					
Leiter mm ² max	2,5					

