

panel mounting appliance inlet - without hinged cover

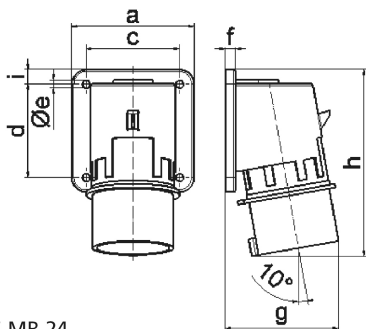


Product description	
BALS-Prd.-Nr	2600
EAN	4024941026000
Product category	Surface mounting appliance inlet
Current	32A
Number of poles	5p
Arrangement of phases	3p+N+PE
Position of earth contact	6 h
Voltage	200/346 - 240/415V~
Frequency	50/60Hz

Product description	
Protection degree	IP44
Colour code	red RAL 3000
Colour of appliance	Collar red RAL 3000, Enclosure grey RAL 7035
Connection design	with screw terminal
Maximum conductor size	6,0 qmm
Cable entry	other
Height	139mm
Width	90mm
Depth	89mm
Flange size vertical in mm	75mm
Flange size horizontal in mm	90mm
Drill hole dist. vertical mm	45mm
Drill hole dist. horizontal mm	78mm
Material of enclosure	Polyamide
Contacts	The contacts are brass, The contact carrier is made of polyamide

Logistics data	
Weight/pcs	0.186 kg / Piece
Packaging	Bag
Content amount	1 ST
EAN	4024941026000

Logistics data	
Length	89 mm
Width	90 mm
Height	139 mm
Weight	0.187 kg
Volume	1,113.39 ccm
Packaging	Carton
Content amount	10 ST
EAN	4024941833103
Length	295 mm
Width	185 mm
Height	215 mm
Weight	2.024 kg
Volume	9,975 ccm



5 MB 24

Ampere	16	16	16	32	32	32
Polzahl	3	4	5	3	4	5
a	74,0	75,0	84,0	90,0	90,0	90,0
b	84,0	100,0	84,0	75,0	75,0	75,0
c	58,0	62,0	64,0	78,0	78,0	78,0
d	64,0	74,0	64,0	45,0	45,0	45,0
e ø	5,5	4,3	5,5	5,5	5,5	5,5
f	12,0	12,0	7,0	7,0	7,0	7,0
g	70,0	77,0	78,0	86,0	86,0	88,0
h	128,0	145,0	129,0	138,0	138,0	140,0
i	-	-	-	13,0	13,0	13,0
Leiter mm ² min	1	1	1	2,5	2,5	2,5
Leiter mm ² max	2,5	2,5	2,5	6	6	6