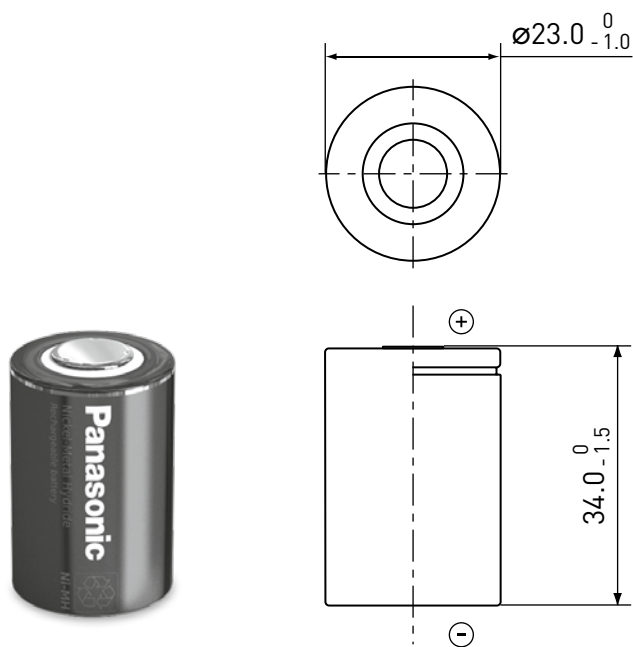


## BK-200SCP HHR-200SCP (OLD)

### HIGH RATE DISCHARGE & RAPID CHARGE TYPE 4/5SC SIZE (HR23/34)



#### DIMENSIONS (MM)

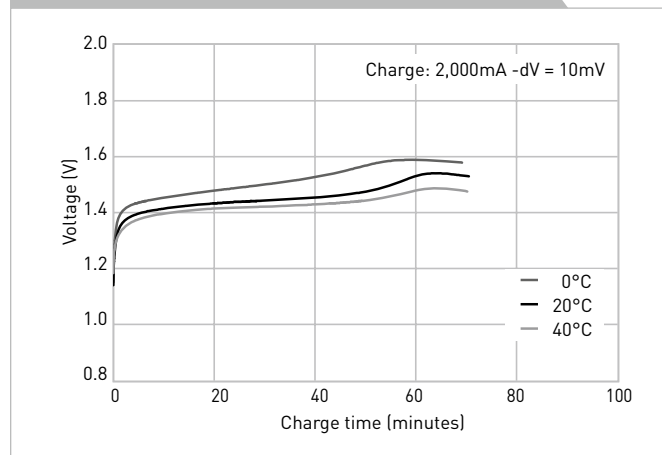


#### SPECIFICATIONS

<b>Name</b>		BK-200SCP
<b>Diameter (mm)</b>		23.0 +0 / -1.0
<b>Height (mm)</b>		34.0 +0 / -1.5
<b>Approximate weight (g)</b>		42
<b>Nominal voltage (V)</b>		1.2
<b>Discharge capacity*1</b>	Average*2 (mAh)	2,100
	Rated/min. (mAh)	1,900
<b>Approx. internal impedance at 1,000Hz at charged state (mΩ)</b>		5
<b>Charge</b>	Standard (mA x hrs.)	190 x 16
	Rapid*3 (mA x hrs.)	2,000 x 1.2
<b>Ambient temperature</b>	Charge	Standard (°C) 0 to +45 Rapid (°C) 0 to +40
	Discharge (°C)	-10 to +65
<b>Storage</b>	<1 year	-20 to +35
	<6 months	-20 to +45
	<1 month	-20 to +55
	<1 week	-20 to +65

\*1 After charging at 0.1It for 16 hours, discharging at 0.2It.  
 \*2 For reference only.  
 \*3 Need specially designed control system. Please contact Panasonic for details.

#### TYPICAL CHARGE CHARACTERISTICS



#### TYPICAL DISCHARGE CHARACTERISTICS

