

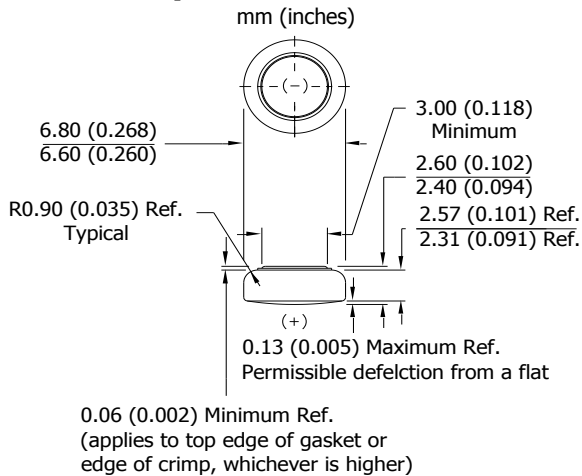
ENERGIZER 377/376

ZEROMERCURY

SILVER OXIDE



Industry Standard Dimensions



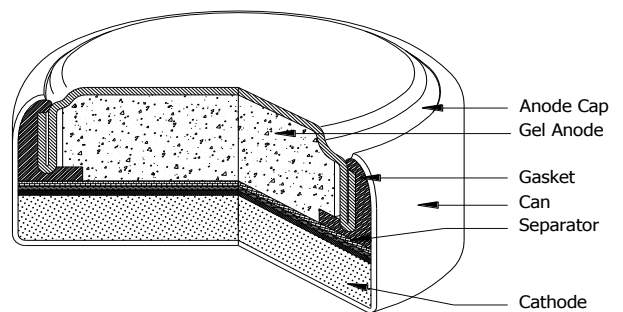
DESIGNED FOR USE ON CONTINUOUS LOW DRAIN
HIGH PULSE ON DEMAND

Specifications

Chemical System:	Silver Oxide (Zn/Ag ₂ O)
Designation:	ANSI/NEDA-1176SO, IEC-SR66
Nominal Voltage:	1.55 Volts
Typical Capacity:	24 mAh* (to 1.2 volts)
Capacity Test:	47K ohm continuous drain at 21°C
Typical Weight:	0.42 grams (0.015 oz.)
Typical Volume:	0.09 cubic centimeters (0.0063 cubic inch)
Impedance (40 Hz):	15 to 30 ohms

* Varies according to the applied load, temperature, and cutoff voltage.

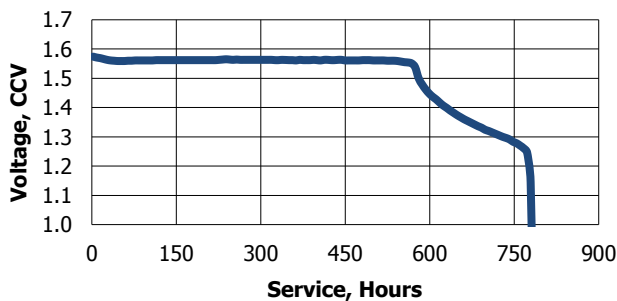
Cross Section



Typical Discharge Characteristics

Typical Performance at 21°C (70°F)

Schedule: Continuous
Typical Drain @1.46V:
0.031 milliamperes
Load: 47K ohm

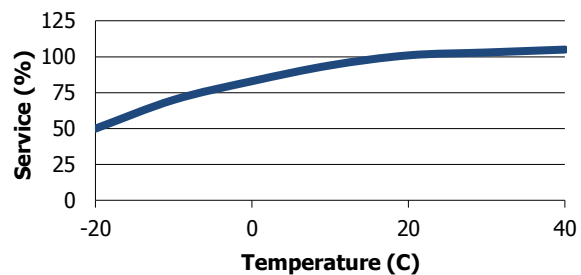


<u>Schedule</u>	<u>Typical Drains</u> at 1.46V (milliamperes)	<u>Load</u> (ohm)	<u>Cutoff</u> (hours)
Continuous	0.031	47K	773

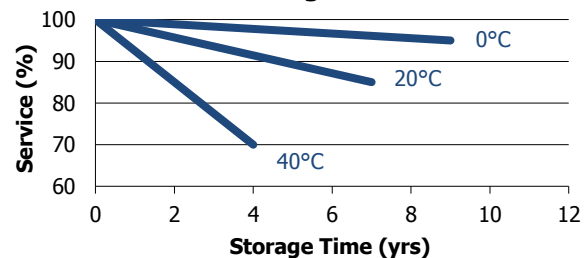
Temperature Characteristics

Typical Performance at Low Discharge Rates

Service Effects



Storage Effects



Important Notice

This datasheet contains typical information specific to products manufactured at the time of its publication.
©Energizer Holdings, Inc. - Contents herein do not constitute a warranty.