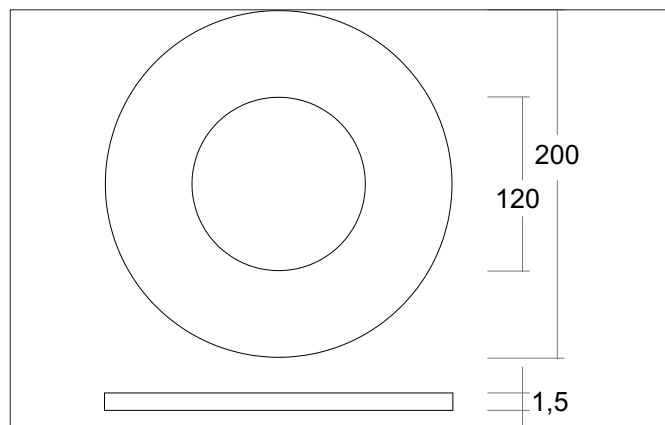


**KACIE MICRO Reduzierring zu Einbaudownlight**

Article no. 81024170

Light.  
For Generations.**Tender**

Reduzierring zu Einbaudownlight, white structure, Round.Reduzierring für Einbaudownlights, Durchmesser 200 mm, Innendurchmesser 120 mm, Stärke 1,5 mm, mit drei Befestigungsfedern für den Ring an sich im Teilkreis von 150 mm Material: Steel, .

Article data	
Article no.	81024170
GTIN	4251433957751
Series name	KACIE MICRO
Short description	Reduzierring zu Einbaudownlight
Material	Steel
Colour	White
Type of surface	Structure
Shape	Round
Outer diameter	200 mm
Hight	1.5 mm
Weight	N.N.

Packing data	
Gross weight	N.N.
Length of packaging	N.N.
Packaging width	N.N.
Packaging hight	N.N.
Disposal at end of life	This product must not be disposed of with household waste. You are obliged, to dispose of such electrical waste separately. By disposing of electrical waste and other old or defective electronics separately, you support recycling or other forms of re-use. In that way you help to take care and to avoid that harmful substances get into the environment.

## **KACIE MICRO Reduzierring zu Einbaudownlight**

Article no. 81024170

Light.  
For Generations.