

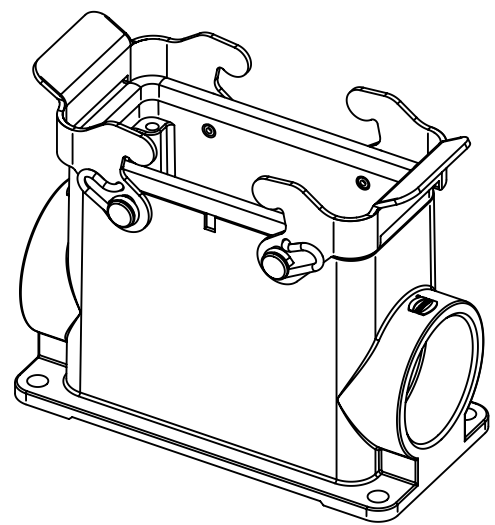
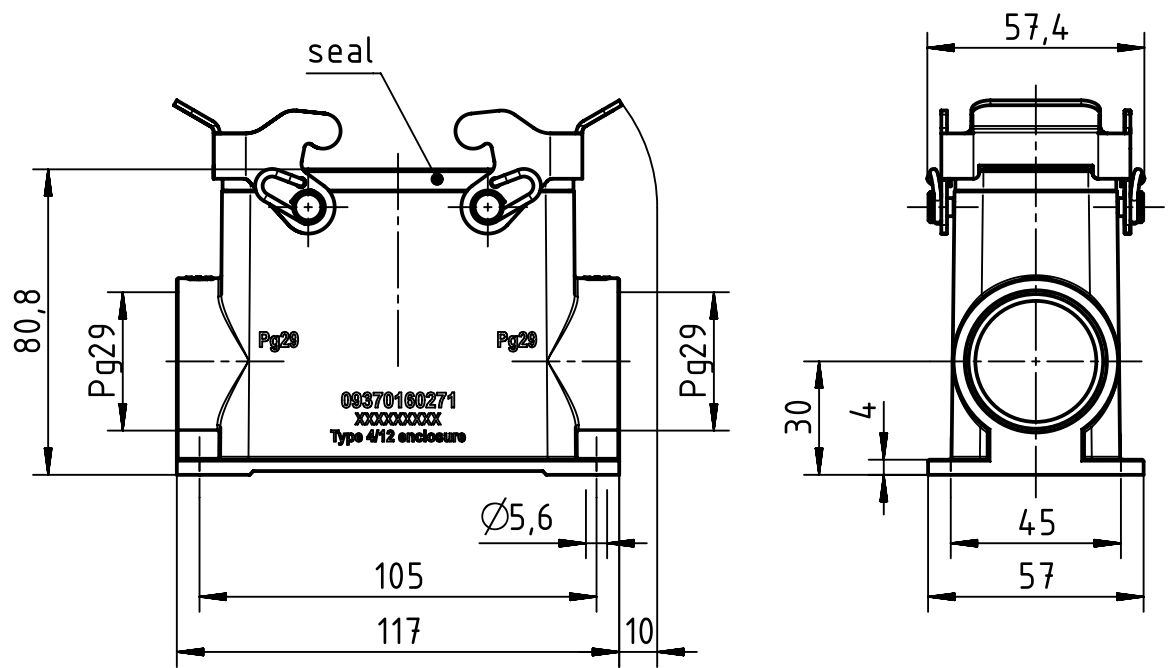
1 2 3 4 5 6

A

B

C

D



	All Dimensions in mm Original Size DIN A4		Scale 1:2	Free size tol.		Ref. Sub. TB 09 37 016 0271 v. 30.05.11		
		All rights reserved Department EL PD - DE		Created by RULLKOETTER	Inspected by BERGHORN	Standardisation TIEMANNA	Date 2016-08-01	State Final Release
HARTING Electric GmbH & Co. KG D-32339 Espelkamp				Title Han M Base Surface HC 2 Levers 2 Entries			Doc-Key / ECM-Nr. 100212267/UGD/004/B 500000106755	
				Type TB	Number 09 37 016 0271		Rev. B	Page 1/1