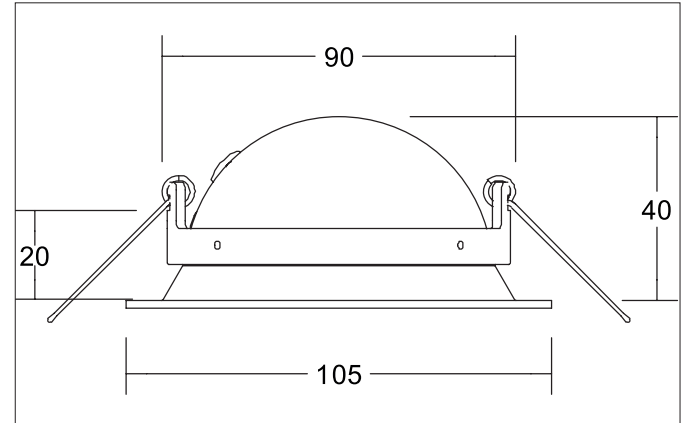


**KAMUTA LED recessed spot**

Article no. 12431183

Light.  
For Generations.**Tender**

LED recessed spot, Round. Toolless ceiling installation by installation springs. Ceiling cut-out  $\varnothing$  90 mm, Installation depth 40 mm, Outer diameter 105 mm, Weight 0,220 kg, Reflector silver with rotationssymmetrical, deep, wide distributed light intensity. optimal light distribution due to a plastic, transparent cover. Luminous flux 680 lm, Power 1 x 5 W, Light colour warm white, Correlated color temprature (CCT) 3.000 K, Colour rendering index CRI > 80, Housing material: Aluminium / PMMA, Colour: Black structure, Permissible ambient temperature (ta): -20 °C - +25 °C, Protection class (EN 61140): III, Degree of protection (DIN EN 60529): IP20, .For connection to an external driver, which is not included in the scope of delivery of the luminaire. Depending on driver dimmable.

**Product Benefits**

- Recessed spotlight in round design made of solid aluminum.
- Ceiling cutout 90 mm, outer diameter 105 mm, Installation depth 40 mm, luminous flux 620 lm, IP20.
- Recessed light emission.
- LED module maximum rotatable (355°) and pivoted.
- Dimmable when using a suitable converter.

**KAMUTA LED recessed spot**

Article no. 12431183

Light.  
For Generations.

Article data	
Article no.	12431183
GTIN	4251433981466
Series name	KAMUTA
Short description	LED recessed spot
Material	Aluminium / PMMA
Colour	Black
Type of surface	Structure
Shape	Round
Outer diameter	105 mm
Built-in diameter	90 mm
Installation depth	40 mm
Hight	2 mm
Weight	0.220 kg

Lighting technology	
Colour temperature	3.000 K
Light colour	White
Light output	Direct
Luminous flux	680 lm
System efficiency	136 lm/W
Colour rendering	CRI > 80
Reflector	High-gloss
Reflector colour	silver
Beam angle	36°
Light sharing	Symmetric
Adjustable color temperature	No

Operating technology of the luminaire	
Voltage type	DC
Current	350 mA
Lamp	LED
Lamp holder	Plug&Play
Protection class	III
Degree of protection	IP20
Dimmable	Depending on type of control gear
Control	Depending on driver
Bulb change possible	The light source of this luminaire may only be replaced by the manufacturer or a service technician commissioned by him or a similarly qualified person.

Mounting technology	
Mounting method	Recessed mounting
Place of installation	Ceiling-mounted
Adjustability	Rotable and pivoted
Swivel angle	40°
Rotation angle	355°
Max. ceiling thickness	20 mm
stamp	UKCA
Further references	No cover with thermal insulation material
Material cover	Plastic, transparent

**KAMUTA LED recessed spot**

Article no. 12431183

Light.  
For Generations.

Packing data	
Gross weight	0.32 kg
Length of packaging	115 mm
Packaging width	110 mm
Packaging height	70 mm
Disposal at end of life	<p>This product must not be disposed of with household waste. You are obliged, to dispose of such electrical waste separately.</p> <p>By disposing of electrical waste and other old or defective electronics separately, you support recycling or other forms of re-use. In that way you help to take care and to avoid that harmful substances get into the environment.</p>

Accessories	
-------------	--