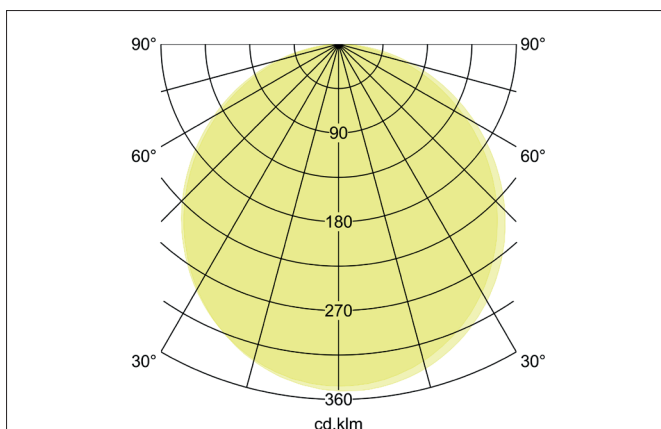
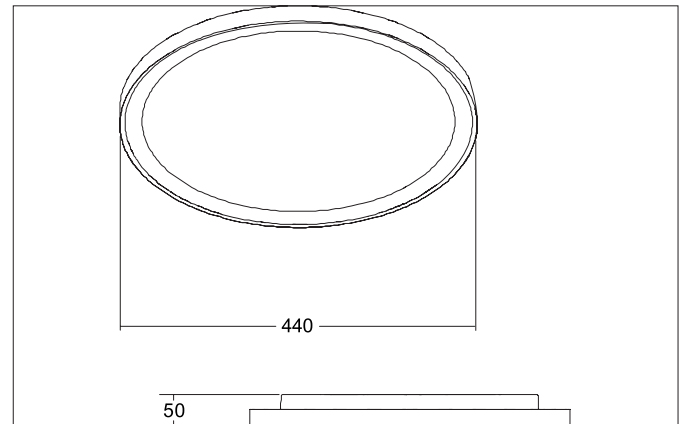


SUNNY MIDI LED ceiling surface-mounted downlight, DALI dimmable, 440 mm

Article no. 12259073

Light.
For Generations.**Tender**

LED ceiling surface-mounted downlight, DALI dimmable, 440 mm, Round. Luminaire diameter 440.0 mm, Height 50.0 mm Weight 2.342 kg, with rotationssymmetrical, deep, wide distributed light intensity. optimal light distribution due to a plastic, opal cover. Luminous flux 3.750 lm, UGR < 25, Power 1 x 40 W, Light colour warm white to warm white, Correlated color temperature (CCT) 3.000 - 3.000 K, Colour rendering index CRI > 80, Rated life time L70/B50 at 25 °C: 50.000 h, Housing material: Aluminium / Steel / Polystyrene, Colour: White, Permissible ambient temperature (ta): -20 °C - +25 °C, Protection class (EN 61140): I, Degree of protection (DIN EN 60529): IP20, shock resistance according to IEC62262: IK04 .With electronic driver, DALI-2 dimmable.

Product Benefits

- Standard indirect component in white, can be retrofitted individually as accessories available in amber, blue and red.
- Easy installation due to bayonet mounting and arrestor cable.
- Luminaire can be easily removed without screws thanks to separate mounting plate.
- Three sizes: 330 mm, 440 mm or 550 mm.
- Three on-site adjustable light colors: 3,000 K, 4,000 K and 6,000 K.
- As an additional function: light color adjustable on the switch side via bottom switch function.
- Also available as pendant version (accessory: pendant set 1,500 mm).
- Dimmable as standard via phase cut-off or DALI (size: 440 mm and 550mm).

SUNNY MIDI LED ceiling surface-mounted downlight, DALI dimmable, 440 mm

Article no. 12259073

Light.
For Generations.

Article data	
Article no.	12259073
GTIN	4251433996972
Series name	SUNNY MIDI
Short description	LED ceiling surface-mounted downlight, DALI dimmable, 440 mm
Material	Aluminium / Steel / Polystyrene
Colour	White
Type of surface	Matt
Shape	Round
Outer diameter	440 mm
Hight	50 mm
Scope of delivery	incl. converter for connection to 230 V mains voltage, DALI-2 dimmable. Optional accessories: color ring set for the indirect component in the colors red, blue and amber, and a pendant set 1,500 mm.
Weight	2.342 kg
Conformance	UKCA

Lighting technology	
Colour temperature	3.000 K
Light colour	White
Light output	Direct/Indirect
Luminous flux	3,750 lm
System efficiency	94 lm/W
Colour rendering	CRI > 80
Reflector	Without
Beam angle	110°
Glare evaluation	UGR < 25
Light sharing	Symmetric
Adjustable color temperature	No

Operating technology of the luminaire	
System output	40 W
Voltage type	AC
AC nominal voltage max	230 V
Frequency max	50 Hz
Lamp	LED
Lamp holder	Without fitting
Protection class	I
Degree of protection	IP20
Dimmable	Yes
Control	DALI-2
Bulb change possible	The light source of this luminaire may only be replaced by the manufacturer or a service technician commissioned by him or a similarly qualified person.
Rated life time L70/B50 at 25 °C	50,000 h

Mounting technology	
Mounting method	Surface mounting
Place of installation	Ceiling-mounted
Adjustability	Not adjustable
Impact resistance	IK04
Material cover	Plastic, opal

SUNNY MIDI LED ceiling surface-mounted downlight, DALI dimmable, 440 mm

Article no. 12259073

Light.
For Generations.

Packing data	
Gross weight	2.719 kg
Length of packaging	480 mm
Packaging width	475 mm
Packaging height	55 mm
Disposal at end of life	This product must not be disposed of with household waste. You are obliged, to dispose of such electrical waste separately. By disposing of electrical waste and other old or defective electronics separately, you support recycling or other forms of re-use. In that way you help to take care and to avoid that harmful substances get into the environment.

Accessories	
	Article no.: 81020906 Color ring set for SUNNY surface-mounted luminaire
	Article no.: 81020908 Color ring set for SUNNY surface-mounted luminaire
	Article no.: 81020909 Color ring set for SUNNY surface-mounted luminaire
	Article no.: 81018070 Pendant set for surface-mounted downlight 12208073 / 12209073 Dimensions: 150 mm x 26 mm
	Article no.: 81018080 Pendant set for surface-mounted downlight 12208073 / 12209073 Dimensions: 150 mm x 26 mm