

Ex GFSI Art. No. 240443



- Housing made of aluminium, powder-coated
- 1 pedal
- With or without protective shield
- Ergonomic pedal shape
- Wide opening in shield
- With connection compartment

WebCode GFIA



Ex foot switches are mounted on machines and plants in cases where operation manual operation is not possible. All the EEx GFS range switches are mounted with a shield to prevent unintentional actuation and to protect against falling objects.

Technical Data

Explosion Protection

Scope of validity	European Union (ATEX) IECEX
Application range (zones)	1 2 21 22
ATEX gas certificate	PTB 15 ATEX 1010
ATEX gas explosion protection	⊕ II 2 G Ex db eb IIC T6 Gb
ATEX dust certificate	PTB 15 ATEX 1010
ATEX dust explosion protection	⊕ II 2 D Ex tb IIIA T80 °C Db
EAC certificate	RU C-DE.HA67.B.00014/19
EAC dust explosion protection	⊕ Ex tb IIIC T80 °C Db X

Electrical Data

Rated operational voltage DC	230 V
Rated operational voltage AC (equal potential)	500 V
Rated operational voltage (unequal potential)	250 V
Rated insulation voltage	500 V
Electrical service life	Max. 10 ⁶ operating cycles
Mechanical service life	Max. 10 ⁶ operating cycles
Indoor range	0 m
Rated surge voltage	4 kV
Short-circuit protection max.	5 A
Tripping characteristic	gL/gG

Ambient Conditions

Ambient temperature	-40 °C ... +70 °C (For T6)
---------------------	----------------------------

Ex GFSI Art. No. 240443

Mechanical Data

Version	with protective collar
Degree of protection IP (IEC 60529)	IP66/IP67
Enclosure material	Alum. die casting, painted Corrosion resistant aluminium, powder-coated
Cover material	Corrosion-resistant Al., powder-coated
Contact material	Silver-nickel
Clamping range max.	13 mm
Clamping range min.	4 mm
Connection cross-section solid	0.75 – 2.5 mm ²
Connection cross-section finely stranded	0.75 – 2.5 mm ²
Number of NCs	1
Positive opening contact	Yes
Number of NOs	1
Actuator	pedal
Type of connection cable	Finely stranded Solid
Contacts	1 NC + 1 NO
Enclosure colour	Similar to RAL 7016
Packaging unit	1
Weight	1.2 kg
Weight	2.65 lb

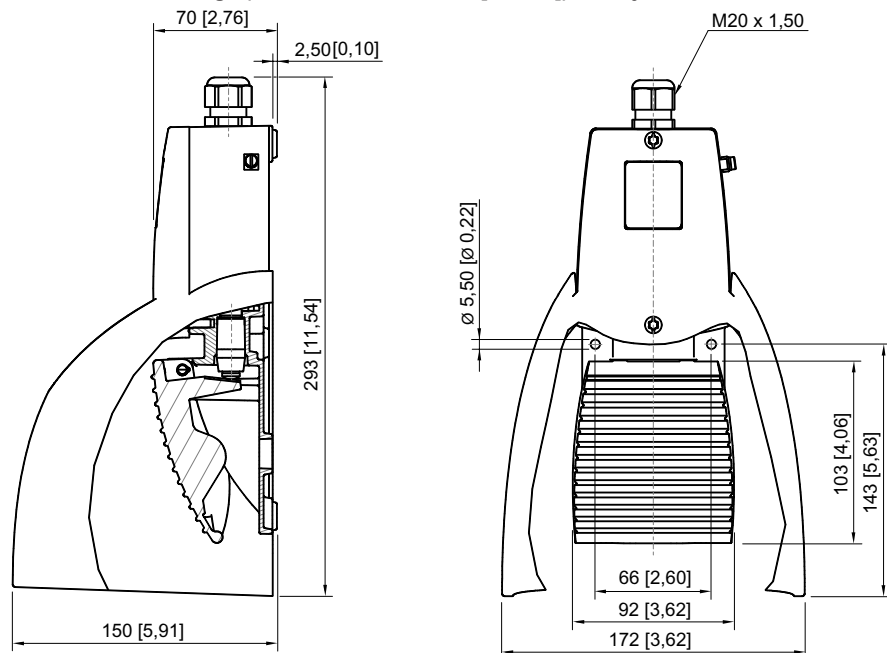
Mounting / Installation

Connection	8161 1xM20x1.5 cable entry
------------	----------------------------

Components

Cable entries	1 x M20 Ø 4 – 13 mm
Material cable gland	Black plastic

Dimensional Drawings (All Dimensions in mm [inches]) – Subject to Alterations



Ex GFSI Art. No. 240443

We reserve the right to make alterations to the technical data, dimensions, weights, designs and products available without notice. The illustrations cannot be considered binding.