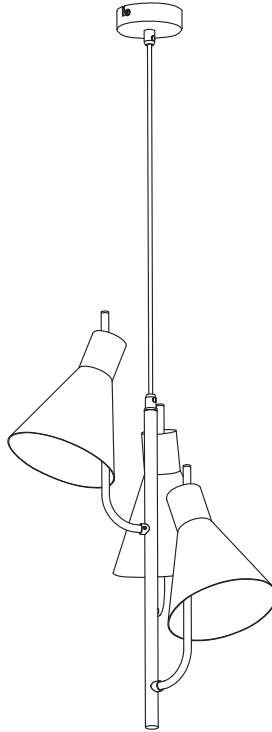

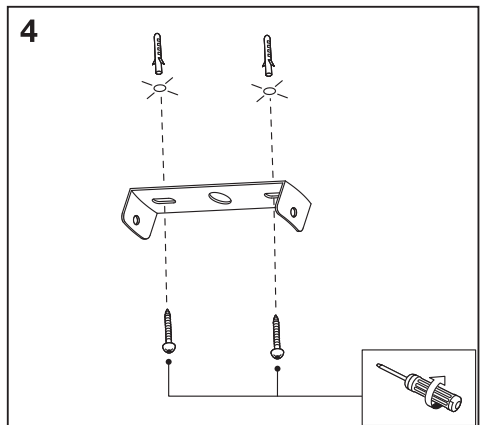
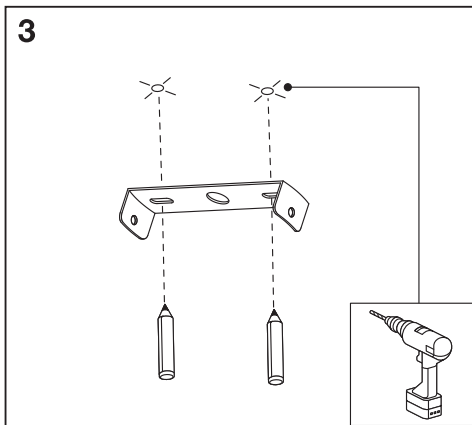
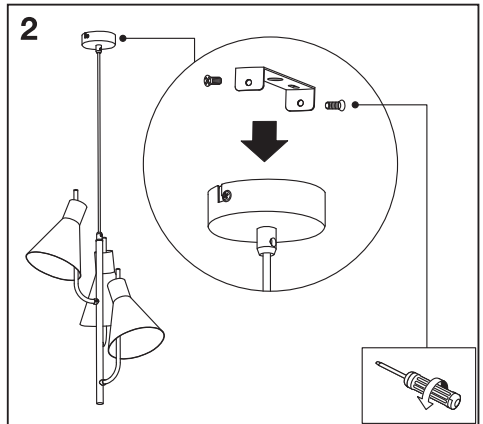
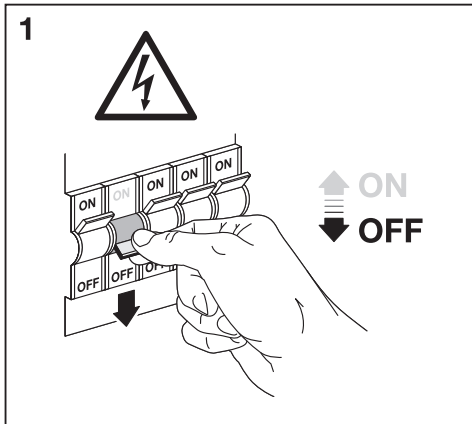
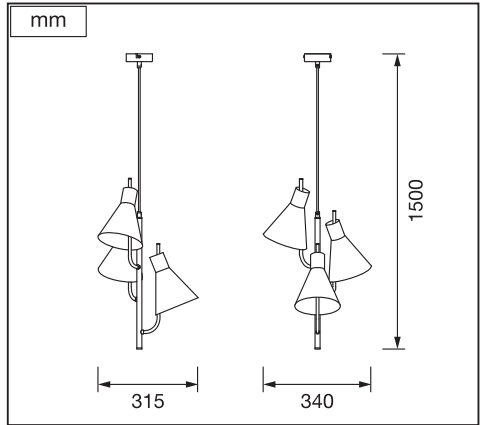
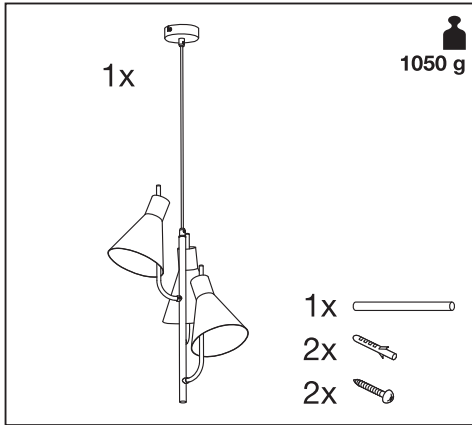
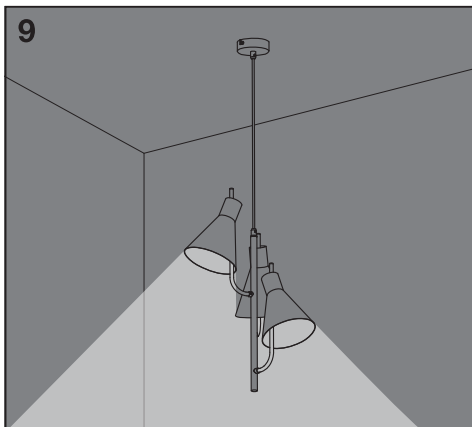
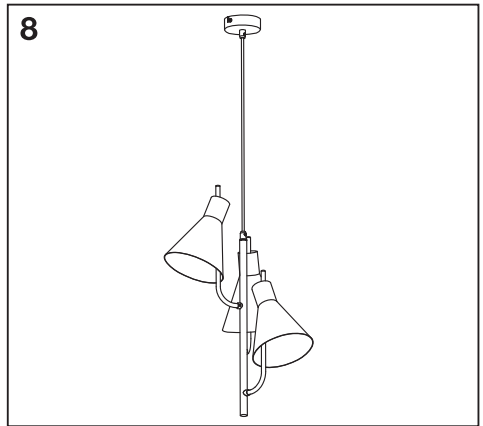
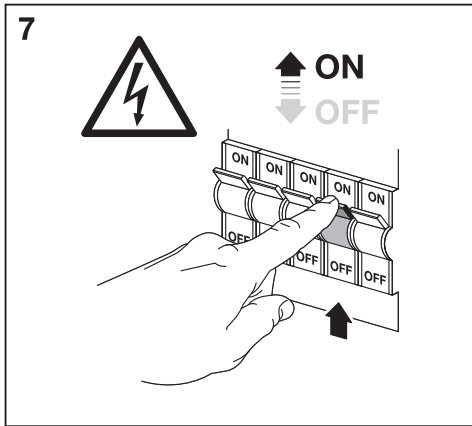
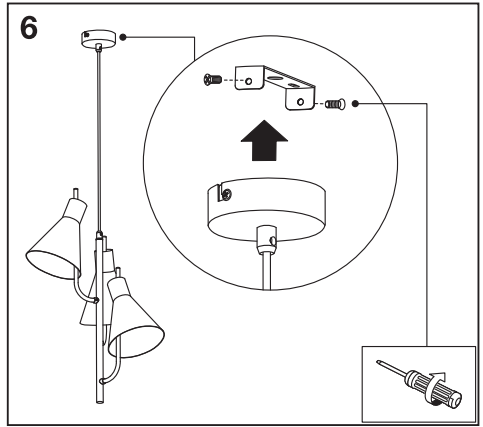
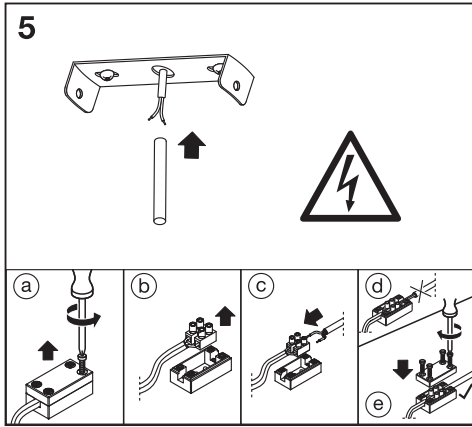


DECOR TOKIO



	EAN	W	lm Light source	lm Output	K	°C	Ra	IP	V-	mA	Hz	DF	
DECOR TOKIO PENDANT 830 BK	4058075757066	14	1260	850	3000	-20...+40	>80	20	220- 240	76	50/60	≥0.7	30000





	EAN	This product contains a light source of energy efficiency class	Contained Light Source
DECOR TOKIO PENDANT 830 BK	4058075757066	G	Containing 3 light sources 



C10449057
G11137605
04.04.2022



LEDVANCE GmbH
Steinerne Furt 62
86167 Augsburg, Germany
www.ledvance.com