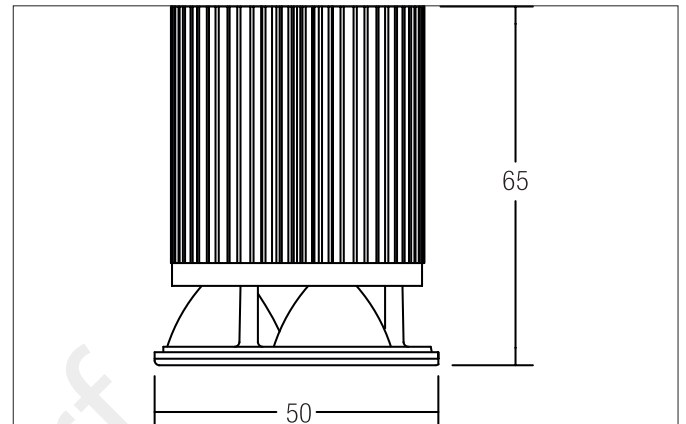


LED insert with lens optics MR16, 6,7 W
Article no. R3701W2

Light.
For Generations.



Tender

LED insert with lens optics MR16, 6,7 W . Lamp holder: Plug&Play, Material: Aluminium / Plastic, Degree of protection: according to DIN EN 60529 IP20, Protection class: (EN 61140) III, Current: 700 mA, Power: 6.7W, Luminous flux: 442lm, Colour temperature: 6.500 K, Beam angle: 25°.

Article data	
Article no.	R3701W2
GTIN	4250047762058
Short description	LED insert with lens optics MR16, 6,7 W
Material	Aluminium / Plastic
Shape	Round
Outer diameter	50 mm
Built-in diameter	50 mm
Installation depth	65 mm
Hight	60 mm
Weight	N.N.

Lighting technology	
Colour temperature	6500 K
Light colour	White
Luminous flux	442 lm
System efficiency	66 lm/W
Colour rendering	CRI > 75
Beam angle	25°

LED insert with lens optics MR16, 6,7 W
Article no. R3701W2

Light.
For Generations.

Packing data	
Gross weight	0.141 kg
Length of packaging	90 mm
Packaging width	55 mm
Packaging height	109 mm
Disposal at end of life	<p>This product must not be disposed of with household waste. You are obliged, to dispose of such electrical waste separately.</p> <p>By disposing of electrical waste and other old or defective electronics separately, you support recycling or other forms of re-use. In that way you help to take care and to avoid that harmful substances get into the environment.</p>

Entwurf