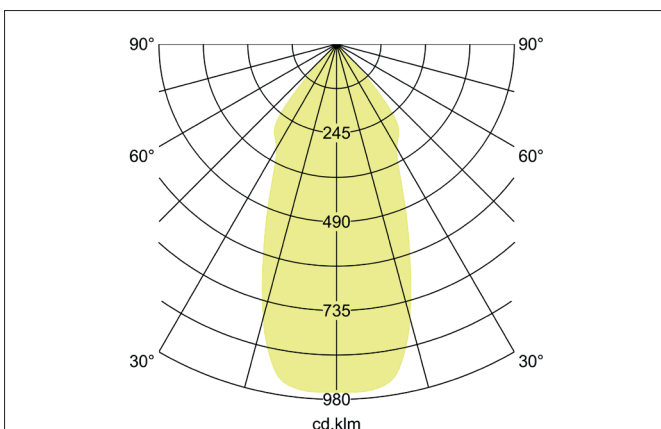
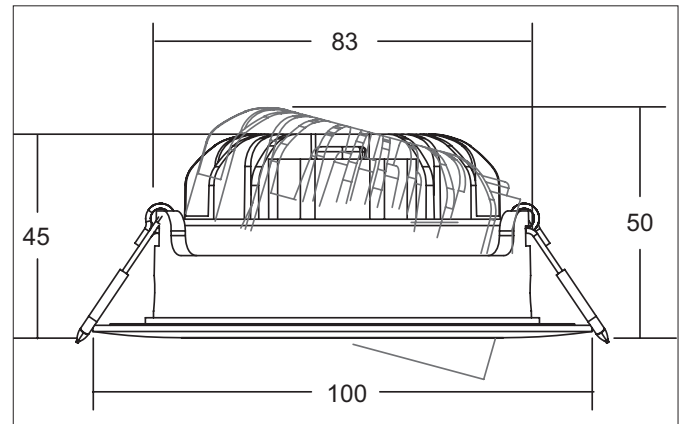


**BIG65 LED recessed spot, IP65**

Article no. 12494153

Light.  
For Generations.**Tender**

LED recessed spot, IP65, Round. Toolless ceiling installation by installation springs. Ceiling cut-out  $\varnothing$  83 mm, Installation depth 50 mm, Outer diameter 100 mm, Weight 0,149 kg, Reflector silver with rotationssymmetrical, deep, wide distributed light intensity. optimal light distribution due to a PMMA cover. Luminous flux 730 lm, Power 1 x 7,5 W, Light colour warm white, Correlated color temperature (CCT) 3.000 K, Colour rendering index CRI > 80, Rated life time L80/B20 at 25 °C: 50.000 h, Housing material: Aluminium / Silicone rubber / PMMA, Colour: Nickel structure, Permissible ambient temperature (ta): -20 °C - +25 °C, Protection class (EN 61140): III, Degree of protection (DIN EN 60529): IP65, .For connection to an external driver, which is not included in the scope of delivery of the luminaire. Depending on driver dimmable.

**Product Benefits**

- Protection class IP65 for application location damp room interior
- Enlarged luminaire (diameter 100 mm) with ceiling cut-out 83 mm
- Very valuable design
- Light emission 52 mm, 730 lm
- Power supply with 350 mA - high selection variance for converters
- Low installation depth with 50 mm
- Available in rigid and swiveling as optically coordinated series
- Available in three current colors

**BIG65 LED recessed spot, IP65**

Article no. 12494153

Light.  
For Generations.

Article data	
Article no.	12494153
GTIN	4251433958062
Series name	BIG65
Short description	LED recessed spot, IP65
Material	Aluminium / Silicone rubber / PMMA
Colour	Nickel
Type of surface	Structure
Shape	Round
Outer diameter	100 mm
Built-in diameter	83 mm
Installation depth	50 mm
Hight	2.5 mm
Weight	0.149 kg

Lighting technology	
Colour temperature	3.000 K
Light colour	White
Light output	Direct
Luminous flux	730 lm
System efficiency	97 lm/W
Colour rendering	CRI > 80
Reflector	High-gloss
Reflektorfarbe	silver
Beam angle	43°
Light sharing	Symmetric
Adjustable color temperature	No

Operating technology of the luminaire	
Voltage type	DC
Current	350 mA
Lamp	LED
Protection class	III
Degree of protection	IP65
Schutzart deckenseitig	IP20
Dimmable	Depending on type of control gear
Control	Depending on driver
Bulb change possible	The light source of this luminaire may only be replaced by the manufacturer or a service technician commissioned by him or a similarly qualified person.
Rated life time L80/B20 at 25 °C	50.000 h

Mounting technology	
Mounting method	Recessed mounting
Place of installation	Ceiling-mounted
Adjustability	Pivoted
Swivel angle	15°
Max. ceiling thickness	18 mm
Further references	No cover with thermal insulation material
Material cover	PMMA

**BIG65 LED recessed spot, IP65**

Article no. 12494153

Light.  
For Generations.

Packing data	
Gross weight	0.186 kg
Length of packaging	120 mm
Packaging width	110 mm
Packaging height	60 mm
Disposal at end of life	<p>This product must not be disposed of with household waste. You are obliged, to dispose of such electrical waste separately.</p> <p>By disposing of electrical waste and other old or defective electronics separately, you support recycling or other forms of re-use. In that way you help to take care and to avoid that harmful substances get into the environment.</p>

**Accessories**