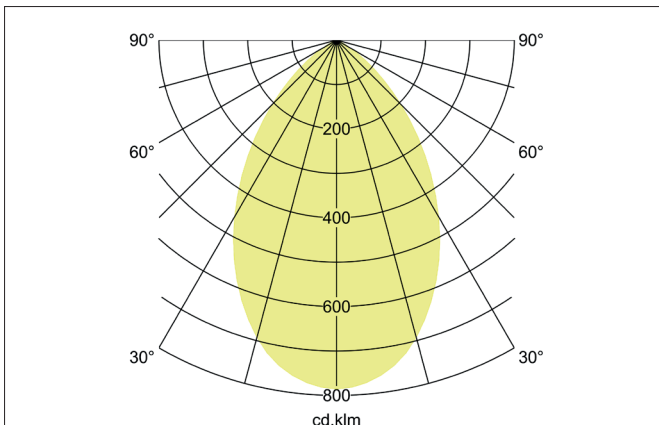
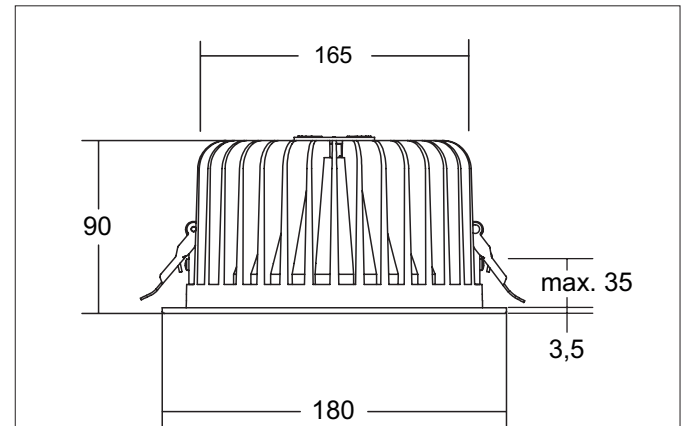


KACIE MINI LED recessed downlight, on/off switchable

Article no. 12570174

Light.
For Generations.**Tender**

LED recessed downlight, on/off switchable, Round. Toolless ceiling installation by installation springs. Ceiling cut-out Ø 165 mm, Installation depth 90 mm, Outer diameter 180 mm, Weight 1,159 kg, Reflector silver with rotationssymmetrical, deep, wide distributed light intensity. optimal light distribution due to a polycarbonat opal cover. Luminous flux 1.310 lm, UGR < 22, Power 1 x 19 W, Light colour neutral white, Correlated color temperature (CCT) 4.000 K, Colour rendering index CRI > 90, Rated life time L70/B10 at 25 °C: 50.000 h, Rated life time L70/B50 at 25 °C: 50.000 h, Housing material: Aluminium / Polycarbonate / Steel, Colour: White structure, Permissible ambient temperature (ta): -20 °C - +25 °C, Protection class (EN 61140): II, Degree of protection (DIN EN 60529): IP20, .With electronic driver, on/off switchable.

Product Benefits

- Round recessed downlight made of massive aluminum with generously dimensioned thermal management.
- High-quality reflector and additional recessed opal diffusing lens made of polycarbonate.
- Easy and tool-free mounting.
- CRI > 90, UGR < 22 (on request also in UGR < 19).
- Low installation depth of 90 mm - diameter of 180 mm, ceiling cut-out 165 mm.
- As a variant also available in DALI dimmable.

KACIE MINI LED recessed downlight, on/off switchable

Article no. 12570174

Light.
For Generations.

| Article data | |
|--------------------|--|
| Article no. | 12570174 |
| GTIN | 4251433943464 |
| Series name | KACIE MINI |
| Short description | LED recessed downlight, on/off switchable |
| Material | Aluminium / Polycarbonate / Steel |
| Colour | White |
| Type of surface | Structure |
| Shape | Round |
| Outer diameter | 180 mm |
| Built-in diameter | 165 mm |
| Installation depth | 90 mm |
| Height | 3.5 mm |
| Scope of delivery | Incl. converter for connection to the 230-V mains voltage, on/off switchable |
| Weight | 1.159 kg |

| Lighting technology | |
|---------------------|------------|
| Colour temperature | 4.000 K |
| Light colour | White |
| Light output | Direct |
| Luminous flux | 1,310 lm |
| System efficiency | 69 lm/W |
| Colour rendering | CRI > 90 |
| Reflector | High-gloss |
| Reflektorfarbe | silver |
| Beam angle | 68° |
| Glare evaluation | UGR < 22 |
| Light sharing | Symmetric |

| Operating technology of the luminaire | |
|---------------------------------------|--|
| System output | 19 W |
| Voltage type | AC |
| AC nominal voltage max | 230 V |
| Frequenz max. | 50 Hz |
| Lamp | LED |
| Protection class | II |
| Degree of protection | IP20 |
| Dimmable | No |
| Control | on/off |
| Bulb change possible | The light source of this luminaire may only be replaced by the manufacturer or a service technician commissioned by him or a similarly qualified person. |
| Rated life time L70/B50 at 25 °C | 50,000 h |

| Mounting technology | |
|-----------------------------|---|
| Mounting method | Recessed mounting |
| Place of installation | Ceiling-mounted |
| Adjustability | Not adjustable |
| Max. ceiling thickness | 35 mm |
| Further references | No cover with thermal insulation material |
| Material cover | Polycarbonat opal |
| Suitable for through-wiring | Yes, with optional accessories |

KACIE MINI LED recessed downlight, on/off switchable

Article no. 12570174

Light.
For Generations.

| Packing data | |
|-------------------------|--|
| Gross weight | 1.304 kg |
| Length of packaging | 220 mm |
| Packaging width | 210 mm |
| Packaging height | 120 mm |
| Disposal at end of life | <p>This product must not be disposed of with household waste. You are obliged, to dispose of such electrical waste separately.</p> <p>By disposing of electrical waste and other old or defective electronics separately, you support recycling or other forms of re-use. In that way you help to take care and to avoid that harmful substances get into the environment.</p> |